



INSTRUCTIONS

ENCL-DB-PCR/PCRX



INTRODUCTION

The Dairyland ENCL-DB series of enclosures allows for the direct burial of selected Dairyland products. These consist of a fully-sealed enclosure to house the decoupler, with cables exiting the enclosure through a sealed interface. The cables are supplied with unfinished ends, allowing for either cutting to length or a variety of connection types in the field.

These instructions outline the installation of a Dairyland ENCL-DB enclosure with installed PCR or PCRX, and provide specific guidance on the usage of the ENCL-DB product. For installation and application information for the PCR or PCRX specifically, see the installation instructions shipped with those products (also available on our website).

For applications where access to the decoupler is required, or where significant load-bearing capability is required, please see our vaults at Dairyland.com.

DISCLAIMERS/USAGE GUIDELINES

Freezing

In all cases, the product must be installed at least below frost level. It should not be installed such that it may be submerged in freezing conditions.

Access

If access to the decoupler is needed, but it is not desirable to have it aboveground, a Dairyland vault, size 17x30", may be appropriate. If the vault is likely to become filled with water, even only occasionally, it is recommended to use this enclosure in conjunction with the vault to ensure all electrical connections are sealed.

Load

If the unit must be installed less than 3 ft. beneath a surface that is subject to vehicular traffic, use a Dairyland vault, which has an ANWI/SCTE Tier 15 load rating.

Backfill

Backfill materials free of rocks with particle size of 1/2" or less should be used to surround the unit.

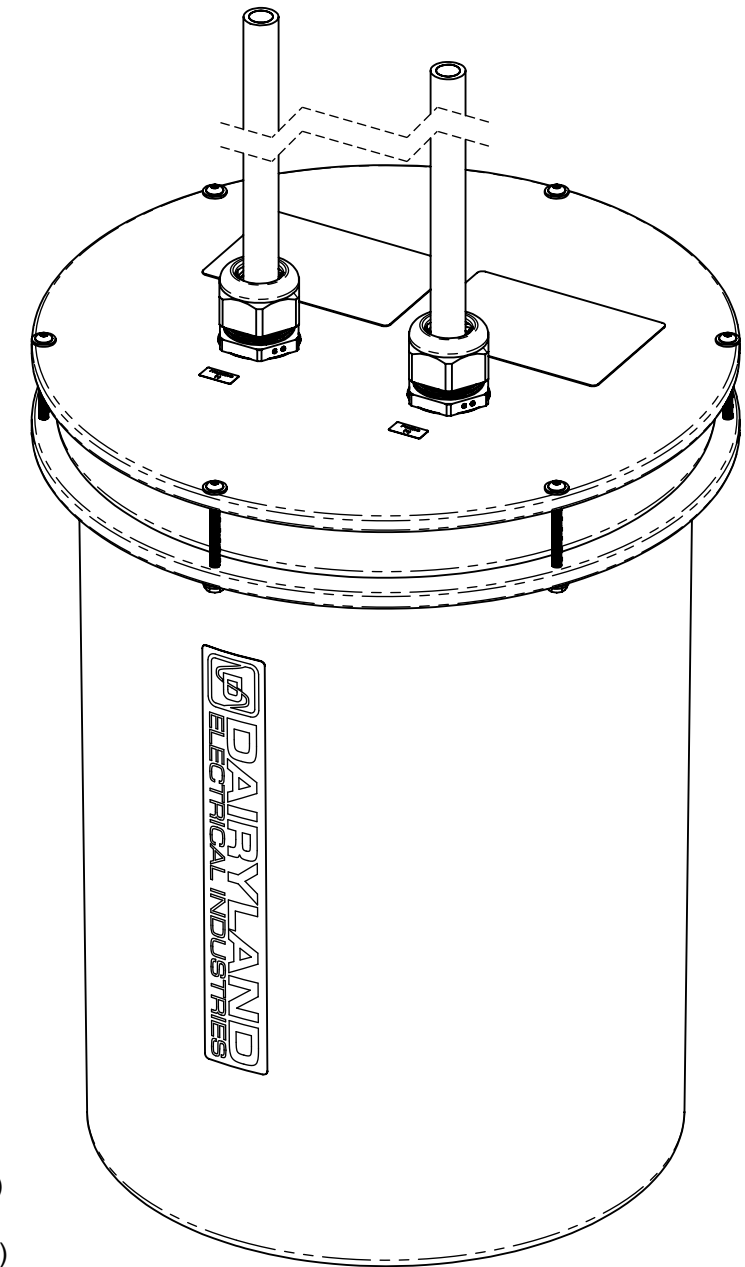
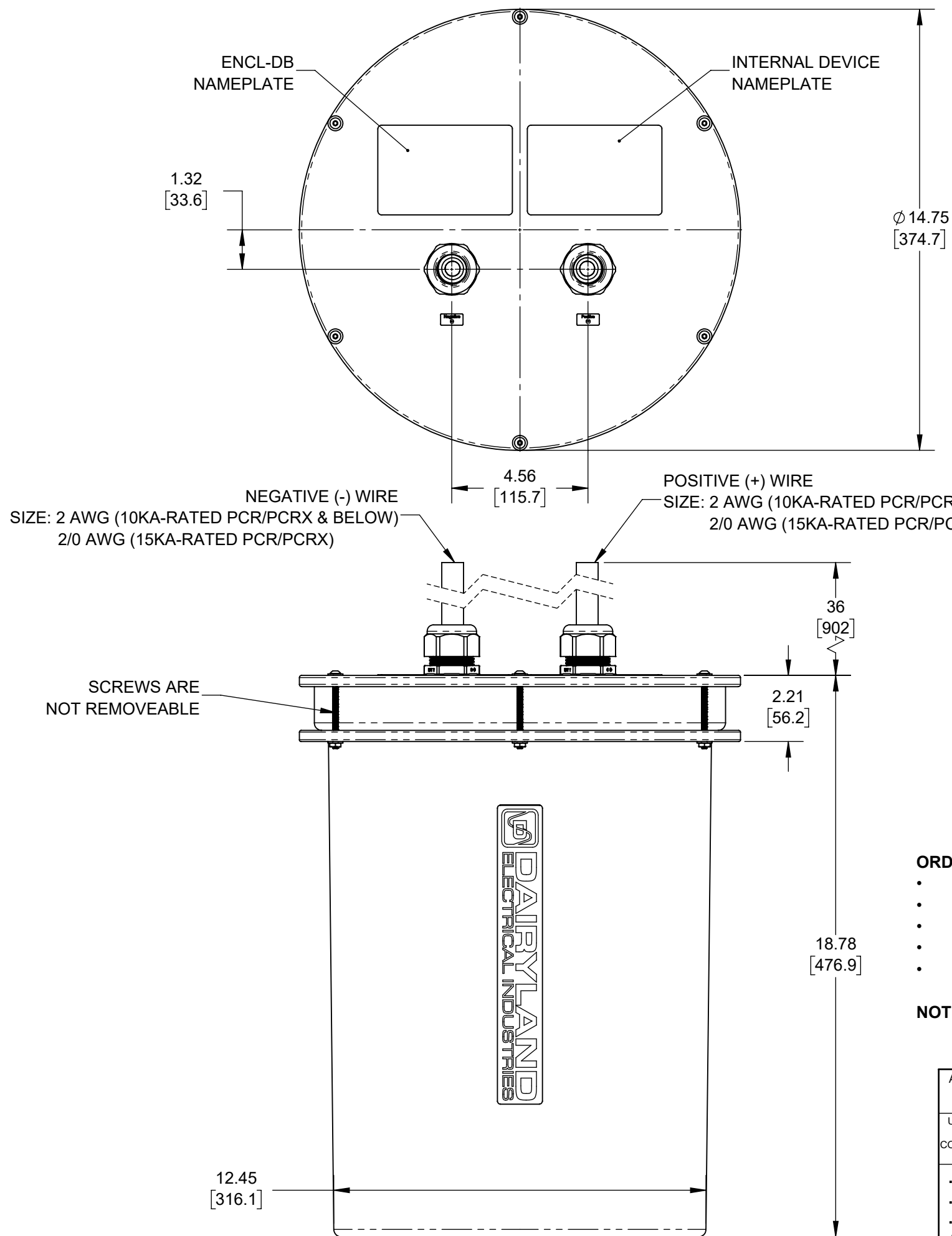
Locators

In some instances, it may be desirable to mark the locations of buried decouplers. A 3M ball marker ([3M™ Extended Range Ball Markers](#)), when tethered to or placed in-ground next to the decoupler could be such an option.

INSTRUCTIONS

1. Install terminals or splice unfinished ends of wires per application requirements. In any case, take care to seal the ends of the wire so that moisture cannot travel through the wire and into the ENCL-DB enclosure. Refer to PCR or PCRX literature for guidance on those specific products.






ORDERING INSTRUCTIONS

- ANY PCRX OR PCR MODEL
- ENCL-DB-PCRX (IF 5KA OR 10KA-RATED PCRX)
- ENCL-DB-PCRX-15KA (IF 15KA-RATED PCRX)
- ENCL-DB-PCR (IF 3.7KA, 5KA, 10KA-RATED PCR)
- ENCL-DB-PCR-15KA (IF 15KA-RATED PCR)

NOTE: FACTORY ASSEMBLY IS REQUIRED. DO NOT REMOVE COVER.

ASME Y14.5M 2018 APPLIES UNLESS OTHERWISE SPECIFIED DIMENSIONS ARE IN INCHES. COMPUTER-GENERATED DRAWING DO NOT EDIT MANUALLY.	MATERIAL: NA	DRAWN: JSJ	DATE DRAWN: 03/12/2024	 DAIRYLAND ELECTRICAL INDUSTRIES, INC. P.O. BOX 187 STOUGHTON, WI 53589 608-877-9900 DAIRYLAND.COM		
.XXX = ±.005" .XX = ±.01" .X = ±.03" ANGLES = ±1°	FINISH: NA	DWG APPROVAL: RJH	DATE APPROVAL: 04/08/2024			
		TITLE: ENCL-DB-PCR/PCRX OUTLINE DRAWING				
THE INFORMATION CONTAINED IN THIS DRAWING IS THE SOLE PROPERTY OF DAIRYLAND ELECTRICAL INDUSTRIES, INC. ANY REPRODUCTION IN PART OR WHOLE, WITHOUT THE WRITTEN PERMISSION OF DAIRYLAND ELECTRICAL INDUSTRIES, INC. IS PROHIBITED.		SHEET: 1 OF 1	DWG SIZE: B	SCALE: 1:4	REV: A	PART #: 100154