



INSTRUCTIONS

# ENCL-DB-SSD/OVP2



## INTRODUCTION

The Dairyland ENCL-DB series of enclosures allows for the direct burial of selected Dairyland products. These consist of a fully-sealed enclosure to house the decoupler, with cables exiting the enclosure through a sealed interface. The cables are supplied with unfinished ends, allowing for either cutting to length or a variety of connection types in the field.

These instructions outline the installation of a Dairyland ENCL-DB enclosure with installed SSD or OVP2, and provide specific guidance on the usage of the ENCL-DB product. For installation and application information for the SSD or OVP2 specifically, see the installation instructions shipped with those products (also available on our website).

For applications where access to the decoupler is required, or where significant load-bearing capability is required, please see our vaults at Dairyland.com.

## DISCLAIMERS/USAGE GUIDELINES

### Freezing

In all cases, the product must be installed at least below frost level. It should not be installed such that it may be submerged in freezing conditions.

### Access

If access to the decoupler is needed, but it is not desirable to have it aboveground, a Dairyland vault may be appropriate. If the vault is likely to become filled with water, even only occasionally, it is recommended to use this enclosure in conjunction with the vault to ensure all electrical connections are sealed.

### Load

If the unit must be installed less than 3 ft. beneath a surface that is subject to vehicular traffic, use a Dairyland vault, which has an ANWI/SCTE Tier 15 load rating.

### Sunlight

Avoid installing the unit where it will be exposed to direct sunlight.

### Backfill

Backfill materials free of rocks with particle size of 1/2" or less should be used to surround the unit.

### Locators

In some instances, it may be desirable to mark the locations of buried decouplers. A 3M ball marker ([3M™ Extended Range Ball Markers](#)), when tethered to or placed in-ground next to the decoupler could be such an option.

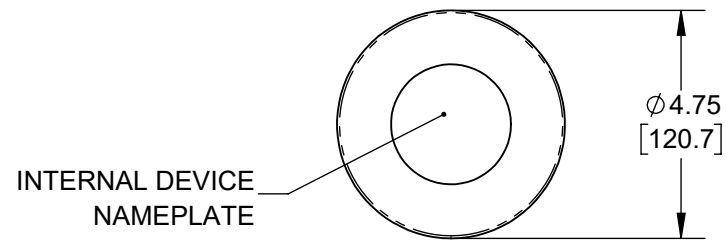


## INSTRUCTIONS

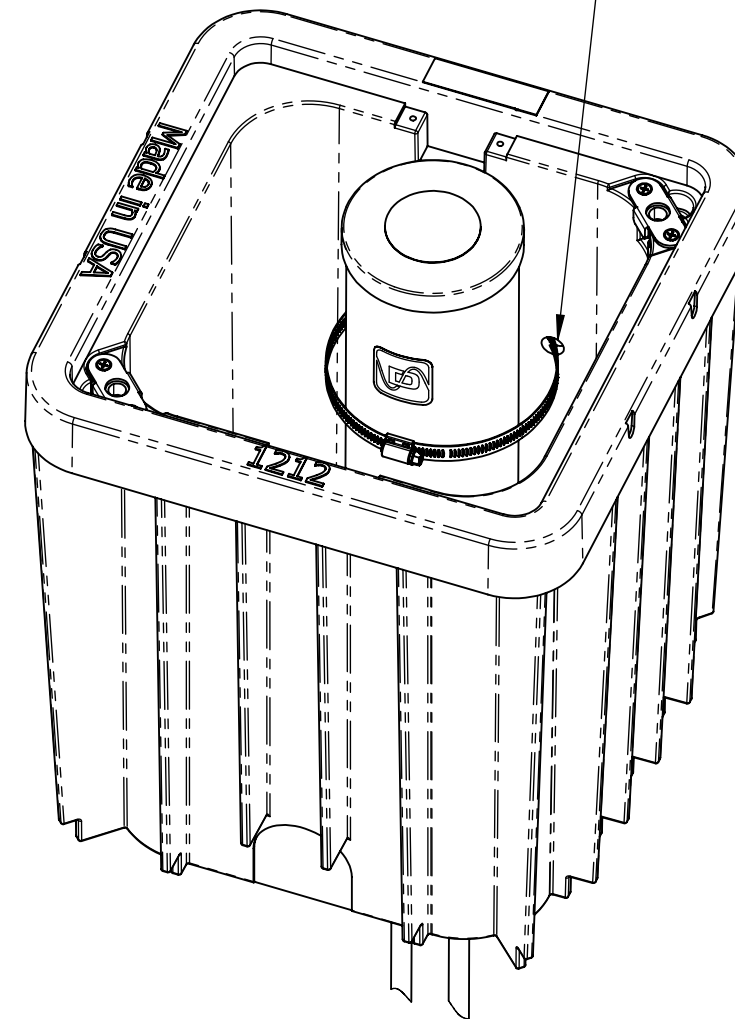
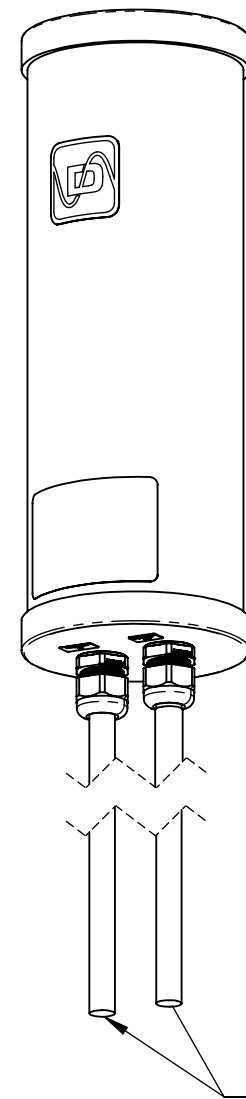
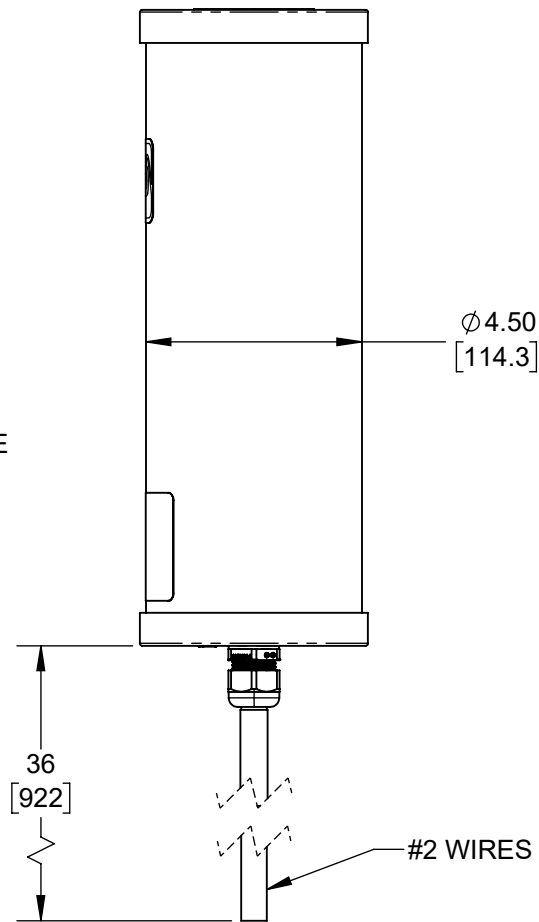
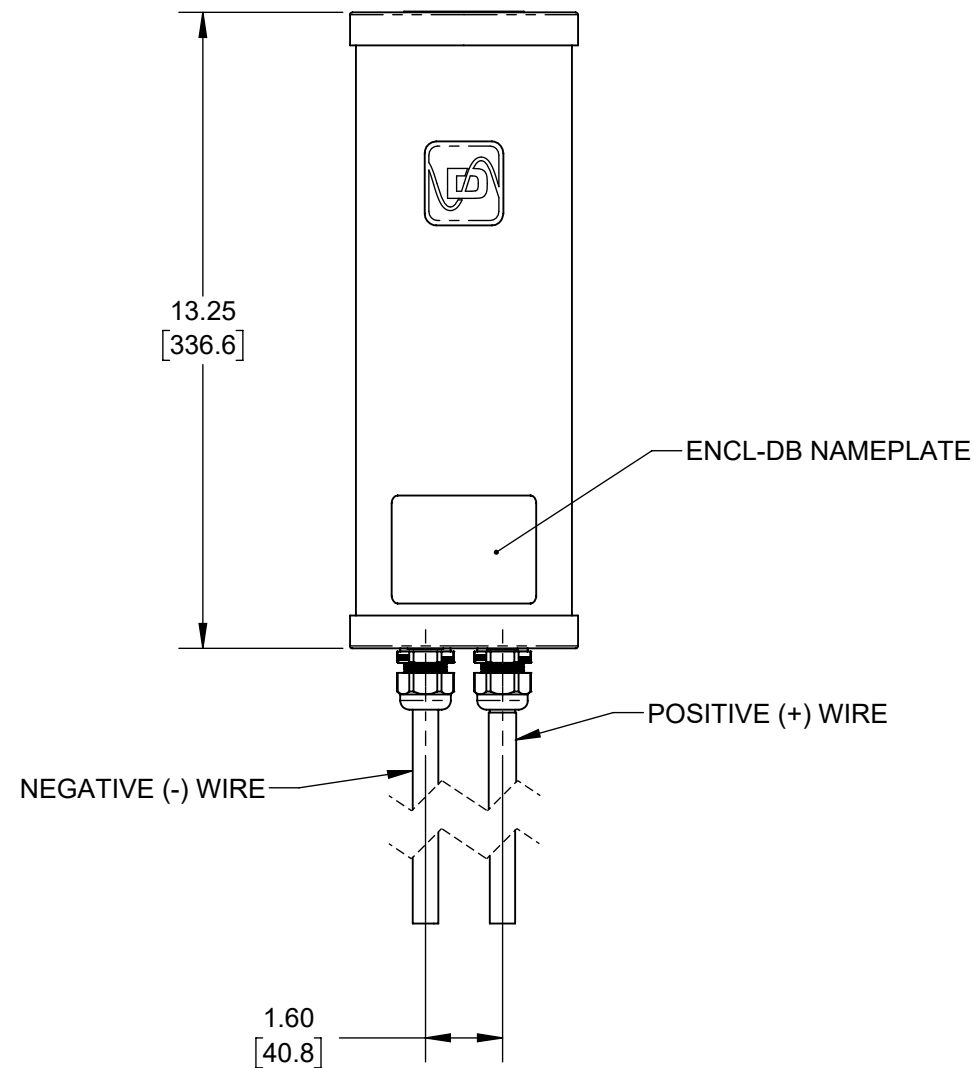
### 1. Factory-installed SSD/OVP2

- a. Install terminals or splice unfinished ends of wires per application requirements. In any case, take care to seal the ends of the wire so that moisture cannot travel through the wire and into the ENCL-DB enclosure. Refer to SSD or OVP2 literature for guidance on those specific products.





DRILL (2) 5/8" HOLES AND SECURE ENCL-DB WITH DAIRYLAND CLAMP P/N 4569, PROVIDED WITH ENCL-DB WHEN ORDERED WITH DAIRYLAND VAULT



EXAMPLE VAULT INSTALLATION  
(LID REMOVED)

**ORDERING INSTRUCTIONS**

- ENCL-DB-SSD/OVP2
- ANY SSD MODEL OR ANY OVP2 MODEL

**NOTE:** FACTORY ASSEMBLY IS REQUIRED. DO NOT REMOVE COVERS.

ASME Y14.5M 2018 APPLIES  UNLESS OTHERWISE SPECIFIED DIMENSIONS ARE IN INCHES. COMPUTER-GENERATED DRAWING DO NOT EDIT MANUALLY.	MATERIAL:	DRAWN: <b>JSJ</b>	DATE DRAWN: <b>10/05/2023</b>	 <b>DAIRYLAND ELECTRICAL INDUSTRIES, INC.</b> P.O. BOX 187 STOUGHTON, WI 53589 608-877-9900 DAIRYLAND.COM
	FINISH: <b>NA</b>	DWG APPROVAL: <b>RJH</b>	DATE APPROVAL: <b>08/19/2024</b>	
.XXX = ±.005" .XX = ±.01" .X = ±.03" ANGLES = ±1°	TITLE: <b>BURIABLE SSD/OVP2 ENCLOSURE - OUTLINE DRAWING</b>		SHEET: OF <b>1 1</b>	DWG SIZE: SCALE: REV: PART #: <b>B 1:4 C 100153</b>
<small>THE INFORMATION CONTAINED IN THIS DRAWING IS THE SOLE PROPERTY OF DAIRYLAND ELECTRICAL INDUSTRIES, INC. ANY REPRODUCTION IN PART OR WHOLE, WITHOUT THE WRITTEN PERMISSION OF DAIRYLAND ELECTRICAL INDUSTRIES, INC. IS PROHIBITED.</small>				