



INSTRUCTIONS

ENCL-DB-SSD/OVP2



INTRODUCTION

The Dairyland ENCL-DB series of enclosures allows for the direct burial of selected Dairyland products. These consist of a fully-sealed enclosure to house the decoupler, with cables exiting the enclosure through a sealed interface. The cables are supplied with unfinished ends, allowing for either cutting to length or a variety of connection types in the field.

These instructions outline how to assemble a Dairyland SSD or OVP2 into the ENCL-DB enclosure, and provide specific guidance on the usage of the ENCL-DB product. For installation and application information for the SSD or OVP2 specifically, see the installation instructions shipped with those products (also available on our website).

For applications where access to the decoupler is required, or where significant load-bearing capability is required, please see our vaults at Dairyland.com.

DISCLAIMERS/USAGE GUIDELINES

Freezing

In all cases, the product must be installed at least below frost level. It should not be installed such that it may be submerged in freezing conditions.

Access

If access to the decoupler is needed, but it is not desirable to have it aboveground, a Dairyland vault may be appropriate. If the vault is likely to become filled with water, even only occasionally, it is recommended to use this enclosure in conjunction with the vault to ensure all electrical connections are sealed.

Load

If the unit must be installed less than 3 ft. beneath a surface that is subject to vehicular traffic, use a Dairyland vault, which has an ANWI/SCTE Tier 15 load rating.

Sunlight

Avoid installing the unit where it will be exposed to direct sunlight.

Backfill

Backfill materials free of rocks with particle size of 1/2" or less should be used to surround the unit.

Locators

In some instances, it may be desirable to mark the locations of buried decouplers. A 3M ball marker ([3M™ Extended Range Ball Markers](#)), when tethered to or placed in-ground next to the decoupler could be such an option.



INSTRUCTIONS

1. Factory-installed SSD/OVP2

- a. Install terminals or splice unfinished ends of wires per application requirements. In any case, take care to seal the ends of the wire so that moisture cannot travel through the wire and into the ENCL-DB enclosure. Refer to SSD or OVP2 literature for guidance on those specific products.



- c. Pull the wires out of the top of the enclosure so that the terminals are accessible.



2. Field-installed SSD/OVP2

- a. Loosen clamp screw (size: 5/16" hex) to remove cap.



- d. Obtain the SSD or OVP2 model to be installed in the enclosure, preferably keeping the mounting bracket attached.



- b. Loosen cord grip nuts to allow the wires to slide freely.



- e. Attach the wires to the SSD/OVP2 using the supplied 5/16" hardware. Be sure to attach the wire terminals to the inside of the SSD/OVP2 terminals, as shown. Torque to 11 ft-lb.

IMPORTANT: orient the SSD/OVP2 so that the positive/negative terminals match the callouts on the nameplate and labels on the outer enclosure.





f. Attach supplied piece of foam tape to the front of the SSD/OVP2 where shown. This will ensure a snug fit in the enclosure.



i. Write the model number and serial number of the SSD/OVP2 in the spaces provided on the decal on the exterior of the enclosure, if desired. It would also be wise to record the model and serial number prior to installation.



g. Push SSD/OVP2 as far down into the enclosure as it can go, continuing to feed the wires through the enclosure and out the cord grips at the bottom.



j. Re-install the enclosure cap. Torque clamp screw (size: 5/16" hex) to 60 in-lb.

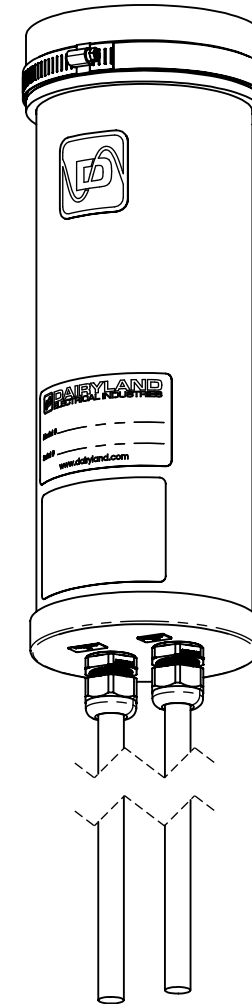
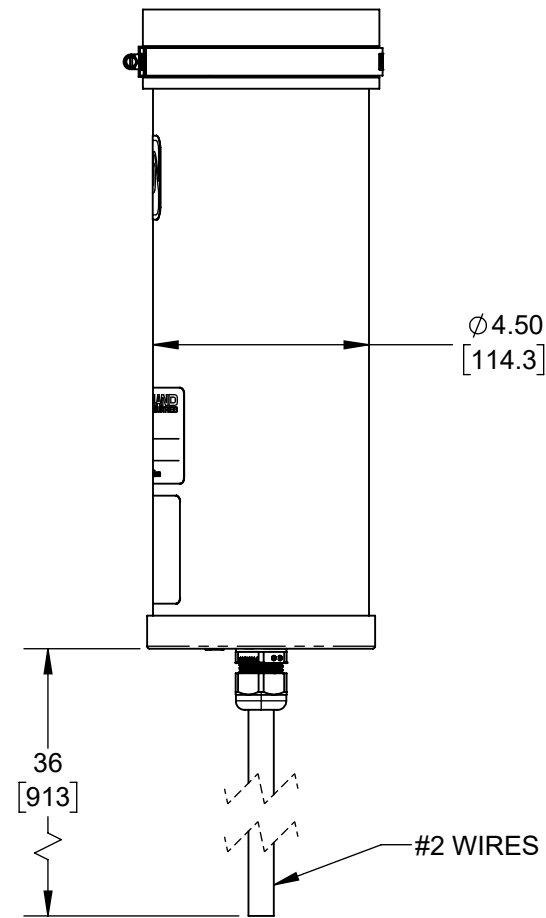
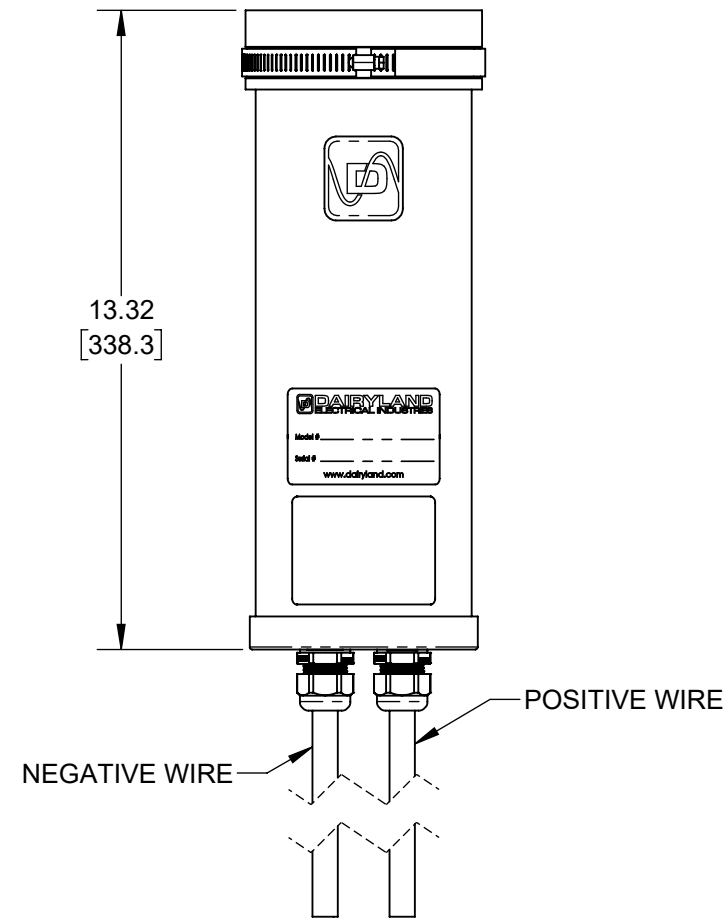
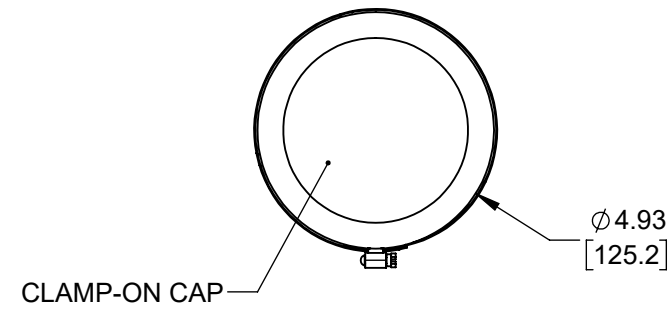


h. Reinstall/firmly tighten the exterior cord grip nuts (size: 27mm). Torque to 40 in-lb.



k. Install terminals or splice unfinished ends of wires per application requirements. In any case, take care to seal the ends of the wire so that moisture cannot travel through the wire and into the ENCL-DB enclosure. Refer to SSD or OVP2 literature for guidance on those specific products.



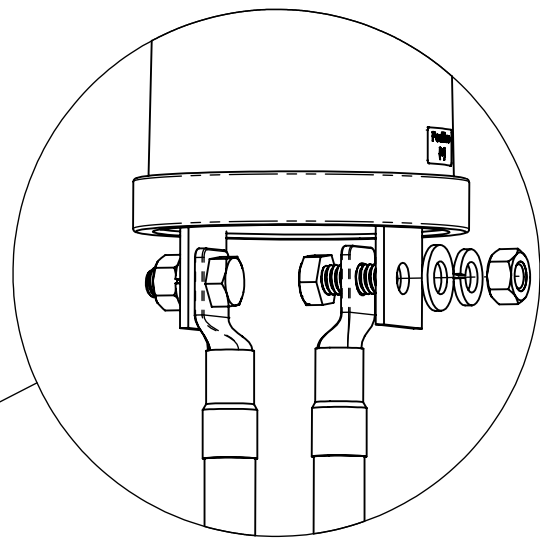


ASME Y14.5M 2018 APPLIES UNLESS OTHERWISE SPECIFIED DIMENSIONS ARE IN INCHES. COMPUTER-GENERATED DRAWING DO NOT EDIT MANUALLY.	MATERIAL:	DRAWN: JSJ	DATE DRAWN: 10/05/2023	DAIRYLAND ELECTRICAL INDUSTRIES, INC. P.O. BOX 187 STOUGHTON, WI 53589 608-877-9900 DAIRYLAND.COM
	FINISH: NA	DWG APPROVAL: MAD	DATE APPROVAL: 01/02/2024	
.XXX = $\pm .005''$.XX = $\pm .01''$.X = $\pm .03''$ ANGLES = $\pm 1^\circ$	TITLE: BURIABLE SSD/OVP2 ENCLOSURE - OUTLINE DRAWING		SHEET: OF 1 2	DWG SIZE: SCALE: REV: PART #: B 1:4 B 100153
THE INFORMATION CONTAINED IN THIS DRAWING IS THE SOLE PROPERTY OF DAIRYLAND ELECTRICAL INDUSTRIES, INC. ANY REPRODUCTION IN PART OR WHOLE, WITHOUT THE WRITTEN PERMISSION OF DAIRYLAND ELECTRICAL INDUSTRIES, INC. IS PROHIBITED.				

CLAMP-ON CAP

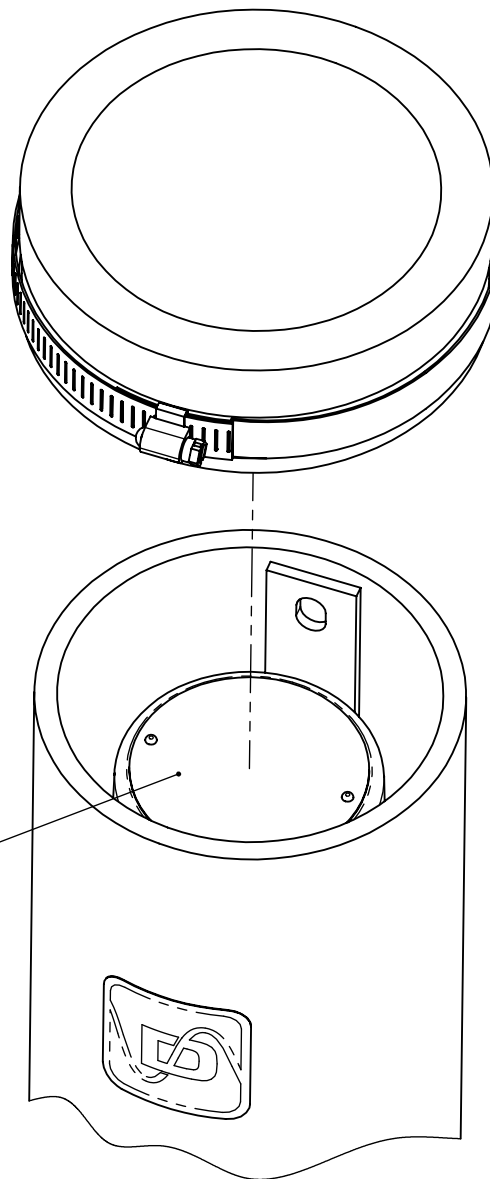
SSD/OVP2

ENCL-DB-SSD/OVP2

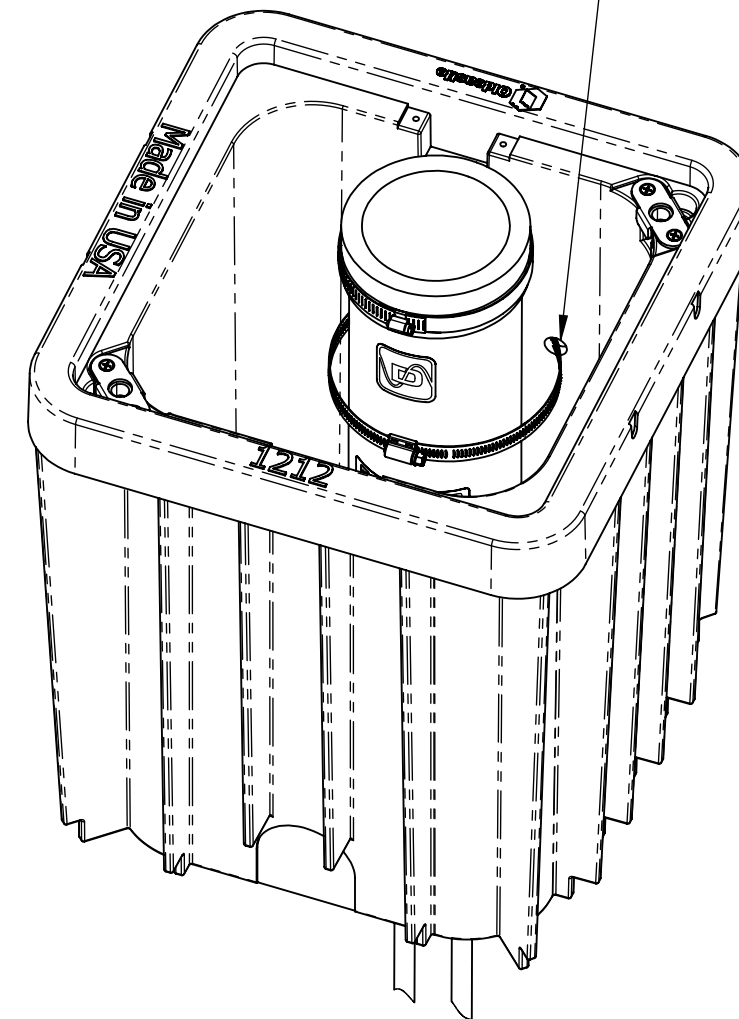


HARDWARE INSTALLATION
DETAIL VIEW

REMOVE CLAMP-ON CAP TO SEE
COMPLETE PRODUCT NAMEPLATE



DRILL (2) 5/8" HOLES AND SECURE ENCL-DB WITH
DAIRYLAND CLAMP P/N 4569, PROVIDED WITH
ENCL-DB WHEN ORDERED WITH DAIRYLAND VAULT



EXAMPLE VAULT INSTALLATION
(LID REMOVED)

ORDERING INSTRUCTIONS

- ENCL-DB-SSD/OVP2
- ANY SSD MODEL OR ANY OVP2 MODEL

NOTE: WHEN ORDERED WITH A DECOUPLER, FACTORY
ASSEMBLY IS RECOMMENDED AND AVAILABLE AT NO CHARGE.

ASME Y14.5M 2018 APPLIES 	MATERIAL: NA	DRAWN: JSJ	DATE DRAWN: 10/05/2023	 DAIRYLAND ELECTRICAL INDUSTRIES, INC. P.O. BOX 187 STOUGHTON, WI 53589 608-877-9900 DAIRYLAND.COM
UNLESS OTHERWISE SPECIFIED DIMENSIONS ARE IN INCHES. COMPUTER-GENERATED DRAWING DO NOT EDIT MANUALLY.	FINISH: NA	DWG APPROVAL: MAD	DATE APPROVAL: 01/02/2024	
.XXX = ±.005" .XX = ±.01" .X = ±.03" ANGLES = ±1°	THE INFORMATION CONTAINED IN THIS DRAWING IS THE SOLE PROPERTY OF DAIRYLAND ELECTRICAL INDUSTRIES, INC. ANY REPRODUCTION IN PART OR WHOLE, WITHOUT THE WRITTEN PERMISSION OF DAIRYLAND ELECTRICAL INDUSTRIES, INC. IS PROHIBITED.		TITLE: BURIABLE SSD/OVP2 ENCLOSURE - INSTALLED VIEWS	
SHEET: 2 OF 2		DWG SIZE: B	SCALE: 1:5	REV: B PART #: 100153