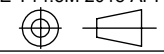



ISOLATION KIT INSTALLATION

1. ALIGN THE ISOLATION BACKPLATE WITH THE TOP AND BOTTOM FLANGES OF THE PCRX AS SHOWN ON SHEET 2.
2. INSERT EIGHT 7/8" HEX SCREWS AND FLAT WASHERS THROUGH THE COUNTERBORED SIDE OF THE BACKPLATE AND INTO THE PCRX MOUNTING HOLES.
3. ADD A FLAT WASHER, SPLIT LOCK WASHER, AND A HEX NUT TO THE END OF EACH SCREW (ADDITIONAL HARDWARE WILL BE USED LATER).
4. TORQUE ALL HARDWARE TO 76 IN-LBS, ENSURING THE SPLIT LOCK WASHERS HAVE COMPRESSED FULLY.
5. ADHERE 8" LONG SEALING TAPE ACROSS THE COUNTERBORED HOLES, ONE STRIP ACROSS THE TOP AND ANOTHER ACROSS THE BOTTOM.
6. AS SHOWN ON SHEET 3, USE THE REMAINING HARDWARE TO MOUNT THE PCRX DIRECTLY TO THE CATHODICALLY PROTECTED STRUCTURE. INSERT THE REMAINING EIGHT HEX SCREWS AND EIGHT FLAT WASHERS THROUGH THE BACK OF THE CP STRUCTURE AND INTO THE TOPMOST HOLES OF THE ISOLATION BACKPLATE. REPEAT THIS WITH THE BOTTOMMOST HOLES.
7. ADD A FLAT WASHER, SPLIT LOCK WASHER, AND HEX NUT TO THE END OF EACH SCREW. TORQUE ALL HARDWARE TO 76 IN-LBS.

A MULTIMETER CAN BE USED TO TEST FOR COMPLETE ELECTRICAL ISOLATION. SET THE METER TO MEASURE OHMS, THEN CONNECT BETWEEN THE CATHODICALLY PROTECTED STRUCTURE AND THE POSITIVE TERMINAL (+) OF THE PCRX. IF THE IMPEDANCE IS GREATER THAN 100KOHMS, THIS ENSURES THAT THE STRUCTURES HAVE BEEN SUCCESSFULLY ISOLATED.

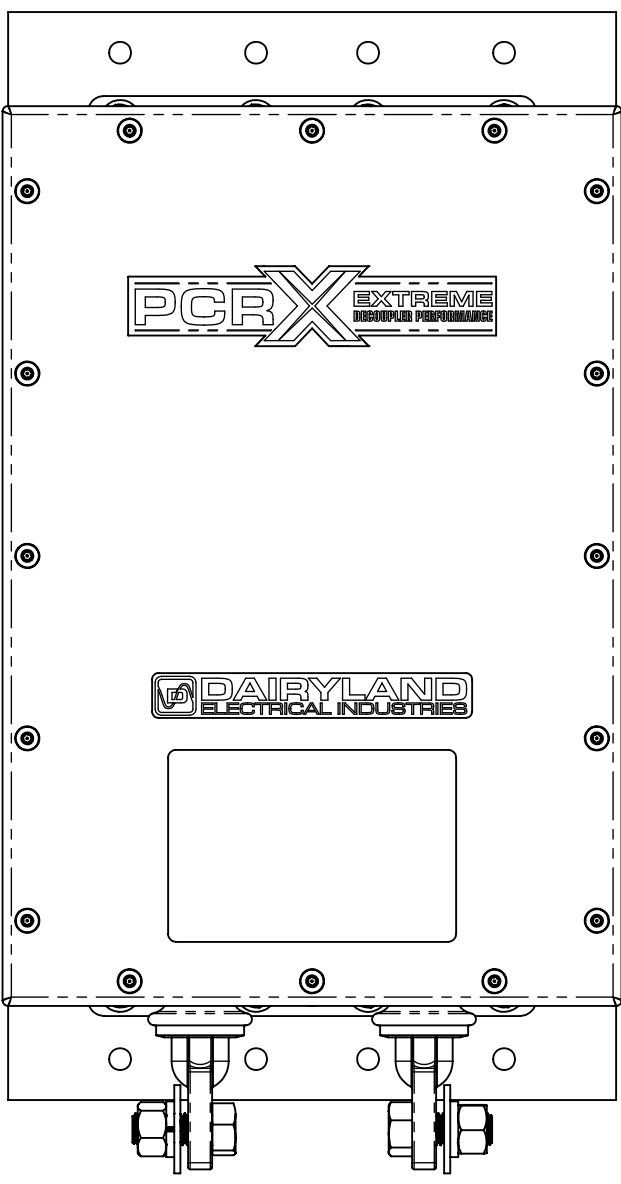
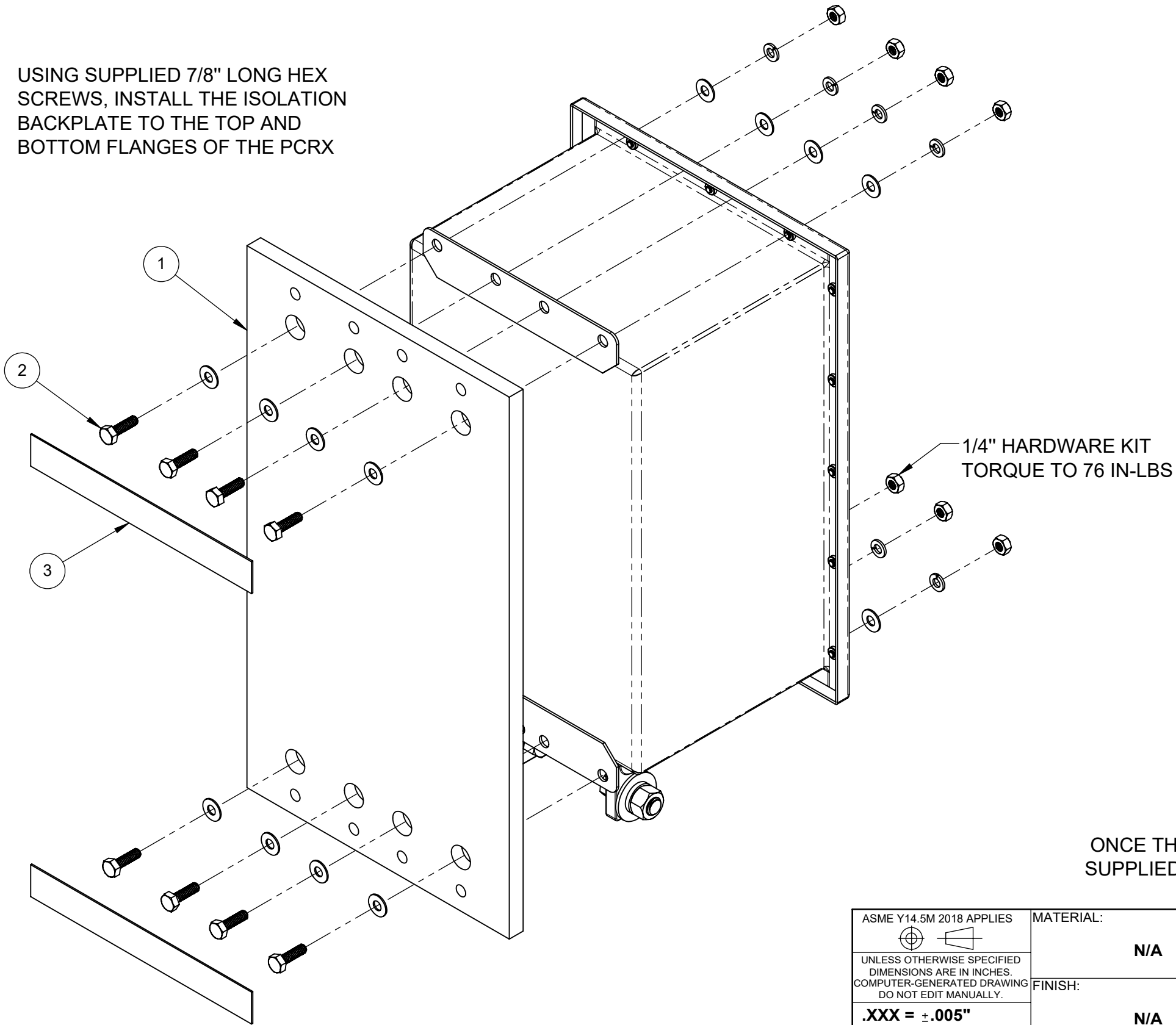
ASME Y14.5M 2018 APPLIES  UNLESS OTHERWISE SPECIFIED DIMENSIONS ARE IN INCHES. COMPUTER-GENERATED DRAWING DO NOT EDIT MANUALLY.	MATERIAL:	DRAWN:	DATE DRAWN:	 DAIRYLAND ELECTRICAL INDUSTRIES, INC. P.O. BOX 187 STOUGHTON, WI 53589 608-877-9900 DAIRYLAND.COM
	N/A	SAB	03/27/2023	
.XXX = ±.005" .XX = ±.01" .X = ±.03" ANGLES = ±1°	FINISH:	DWG APPROVAL:	DATE APPROVAL:	ISOLATION KIT INSTALLATION INSTRUCTIONS
	N/A	RJH	05/11/2023	
THE INFORMATION CONTAINED IN THIS DRAWING IS THE SOLE PROPERTY OF DAIRYLAND ELECTRICAL INDUSTRIES, INC. ANY REPRODUCTION IN PART OR WHOLE, WITHOUT THE WRITTEN PERMISSION OF DAIRYLAND ELECTRICAL INDUSTRIES, INC. IS PROHIBITED.		TITLE:		
		SHEET: OF	DWG SIZE: SCALE: REV: PART #:	
		1 3	B 1:4 A	100152

ITEM NO.	DESCRIPTION	QTY
1	ISOLATION BACKPLATE	1
2	ISOLATION HARDWARE KIT	1
3	HIGH TEMPERATURE SEALING TAPE	1

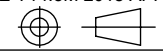

REVISIONS				
REV	CRCO	DESCRIPTION	REV. BY	REV. DATE
A	325	PRODUCTION RELEASE	SAB	5/10/2023

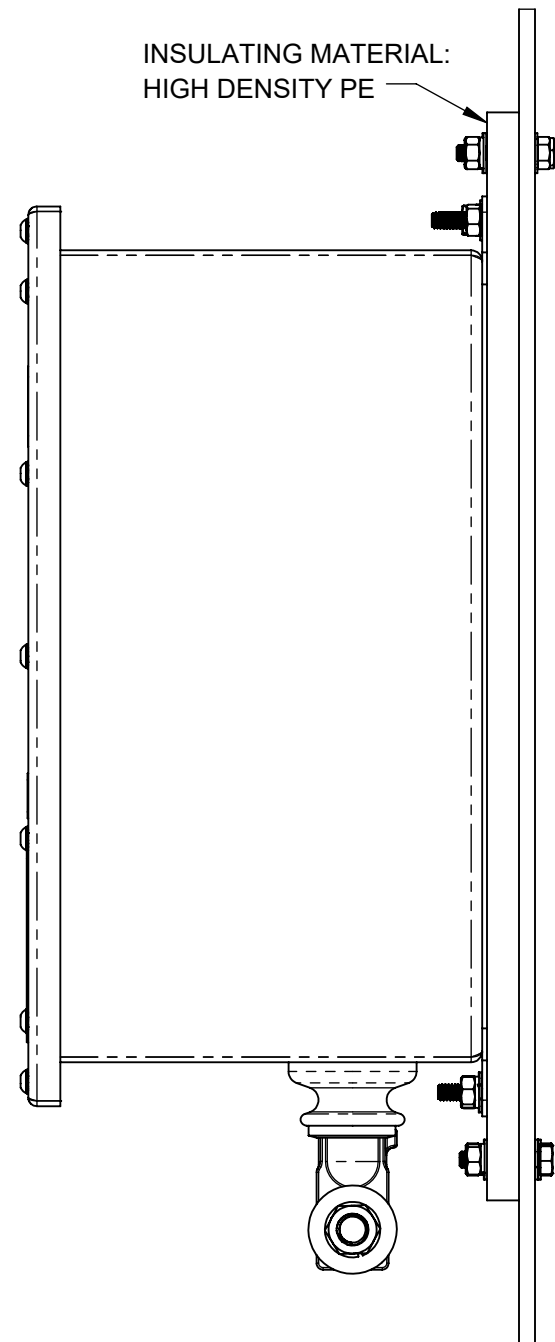
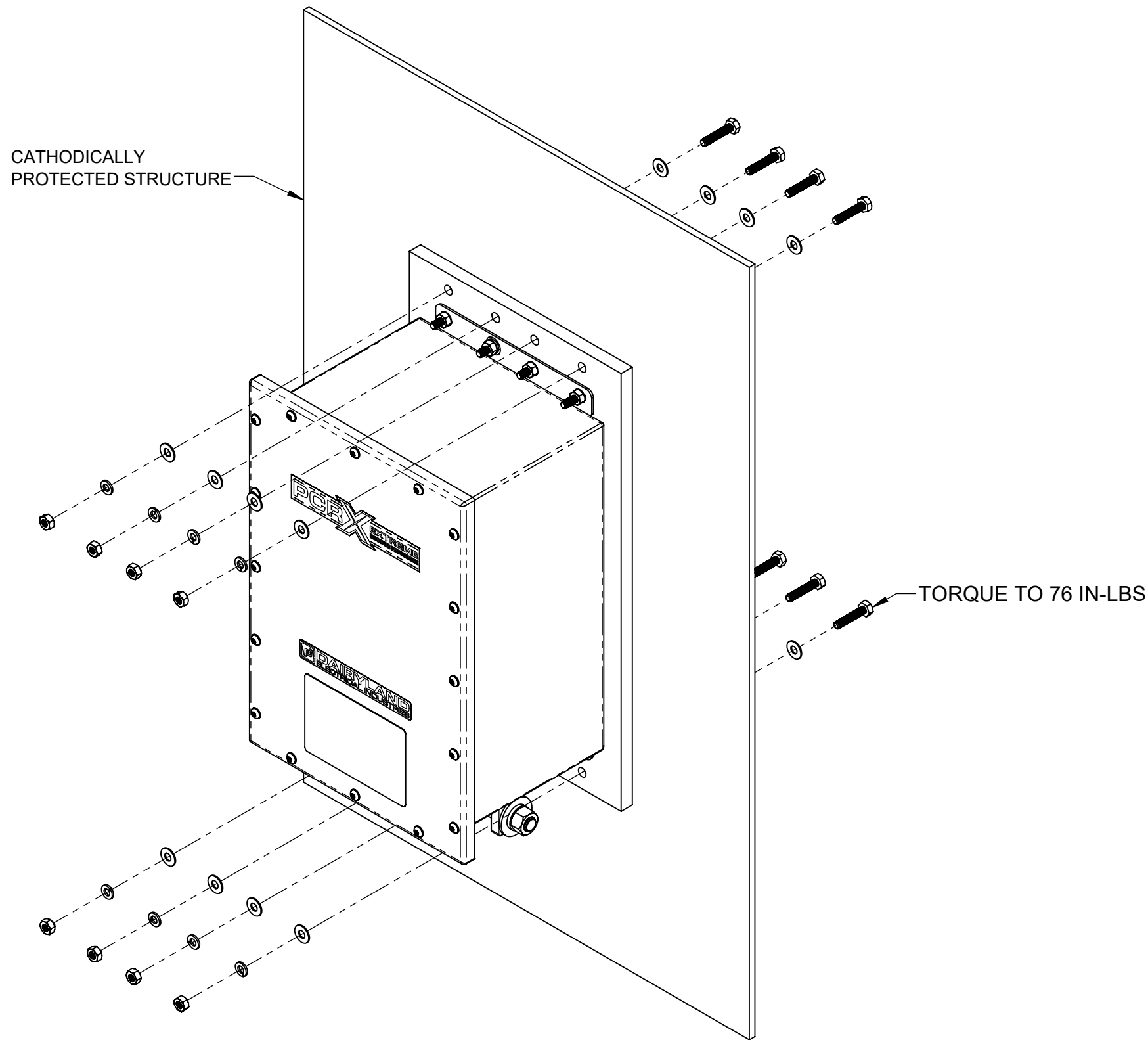
KIT #: 4872, DOCUMENT NAME: ISOLATION KIT

USING SUPPLIED 7/8" LONG HEX SCREWS, INSTALL THE ISOLATION BACKPLATE TO THE TOP AND BOTTOM FLANGES OF THE PCRX



ONCE THE ISOLATION PLATE HAS BEEN MOUNTED TO THE PCRX, USE SUPPLIED SEALING TAPE TO MASK ALL EIGHT COUNTERBORED HOLES

ASME Y14.5M 2018 APPLIES  UNLESS OTHERWISE SPECIFIED DIMENSIONS ARE IN INCHES. COMPUTER-GENERATED DRAWING DO NOT EDIT MANUALLY.	MATERIAL:	N/A	DRAWN: SAB	DATE DRAWN: 03/27/2023	 DAIRYLAND ELECTRICAL INDUSTRIES, INC. P.O. BOX 187 STOUGHTON, WI 53589 608-877-9900 DAIRYLAND.COM
	FINISH:	N/A	DWG APPROVAL: RJH	DATE APPROVAL: 05/11/2023	
.XXX = ±.005" .XX = ±.01" .X = ±.03" ANGLES = ±1°	THE INFORMATION CONTAINED IN THIS DRAWING IS THE SOLE PROPERTY OF DAIRYLAND ELECTRICAL INDUSTRIES, INC. ANY REPRODUCTION IN PART OR WHOLE, WITHOUT THE WRITTEN PERMISSION OF DAIRYLAND ELECTRICAL INDUSTRIES, INC. IS PROHIBITED.		ISOLATION KIT INSTALLATION INSTRUCTIONS		
SHEET: 2 OF 3		DWG SIZE: B	SCALE: 1:3	REV: A	PART #: 100152



NOTE: THE PCRX ISOLATION KIT IS DESIGNED FOR CP STRUCTURES WITH A MAXIMUM WALL THICKNESS OF 1/2"

USING THE REMAINING 1.25" LONG HEX SCREWS, SECURE THE ISOLATION BACKPLATE TO THE CATHODICALLY PROTECTED STRUCTURE AS SHOWN

ASME Y14.5M 2018 APPLIES UNLESS OTHERWISE SPECIFIED DIMENSIONS ARE IN INCHES. COMPUTER-GENERATED DRAWING DO NOT EDIT MANUALLY.	MATERIAL:	DRAWN: SAB	DATE DRAWN: 03/27/2023	 DAIRYLAND ELECTRICAL INDUSTRIES, INC. P.O. BOX 187 STOUGHTON, WI 53589 608-877-9900 DAIRYLAND.COM
	N/A	DWG APPROVAL: RJH	DATE APPROVAL: 05/11/2023	
.XXX = ±.005" .XX = ±.01" .X = ±.03" ANGLES = ±1°	FINISH:	TITLE:		
	N/A	ISOLATION KIT INSTALLATION INSTRUCTIONS		
THE INFORMATION CONTAINED IN THIS DRAWING IS THE SOLE PROPERTY OF DAIRYLAND ELECTRICAL INDUSTRIES, INC. ANY REPRODUCTION IN PART OR WHOLE, WITHOUT THE WRITTEN PERMISSION OF DAIRYLAND ELECTRICAL INDUSTRIES, INC. IS PROHIBITED.	SHEET: 3 OF 3	DWG SIZE: B	SCALE: 1:4	REV: A
				PART #: 100152