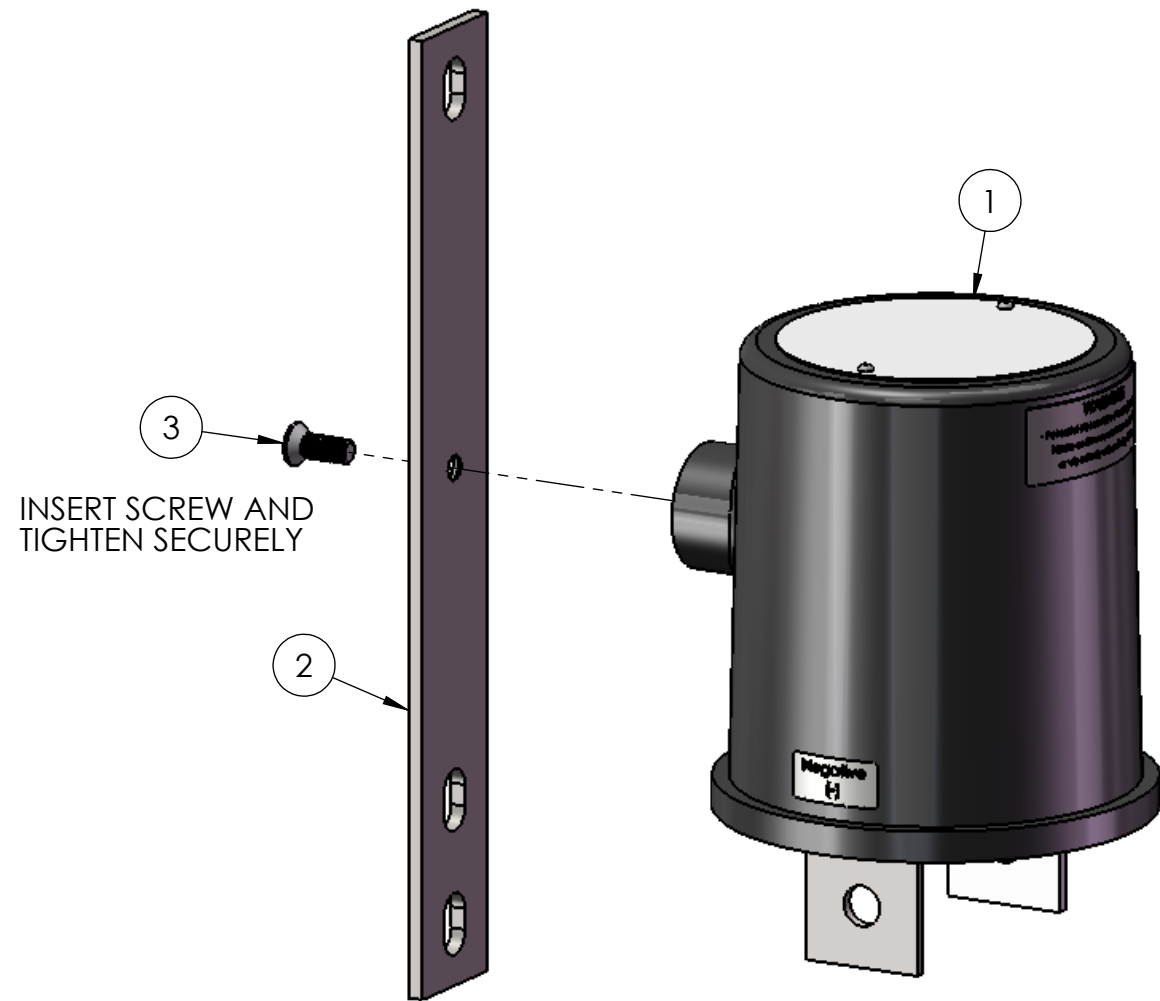


LINE NO.	DOCUMENT NUMBER	DESCRIPTION	QTY.
1	-	OVP2	1
2	2495	Bracket OVP2 Mounting	1
3	2617	Screw PH FH 10-32x1/2"	1



ANSI Y14.5M 1994 APPLIES
 UNLESS NOTED
 UNITS: INCHES
 3-PLACE: ±.005
 2-PLACE: ±.015
 1-PLACE / FRAC: ±.03
 ANGULAR: ±1



**DAIRYLAND
 ELECTRICAL
 INDUSTRIES, INC.**
 P.O. BOX 187
 STOUGHTON,
 WI 53589
 608-877-9900
 DAIRYLAND.COM

DESCRIPTION MTG-OVP2 INSTALLATION				
DOCUMENT # 100054	REV A	DATE DRAWN 2014-01-29	DWG SIZE B	DATE APPROVAL 2014-01-30
SCALE 2:3	DRAWN: JPW	SHEET: 1 OF 1	DWG APPROVAL: KJS	