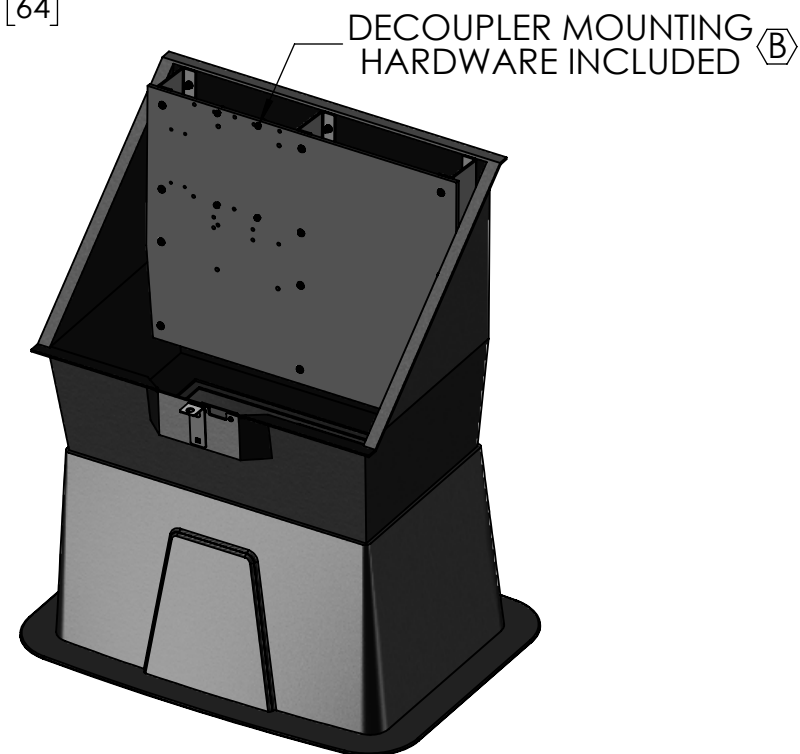
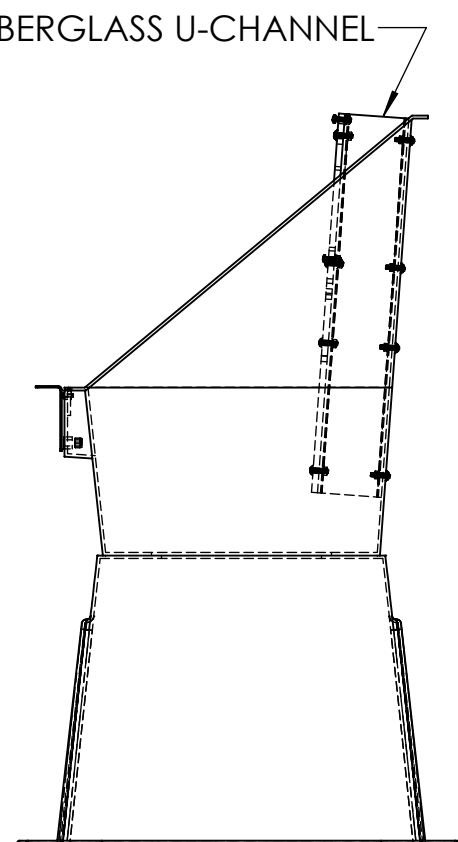
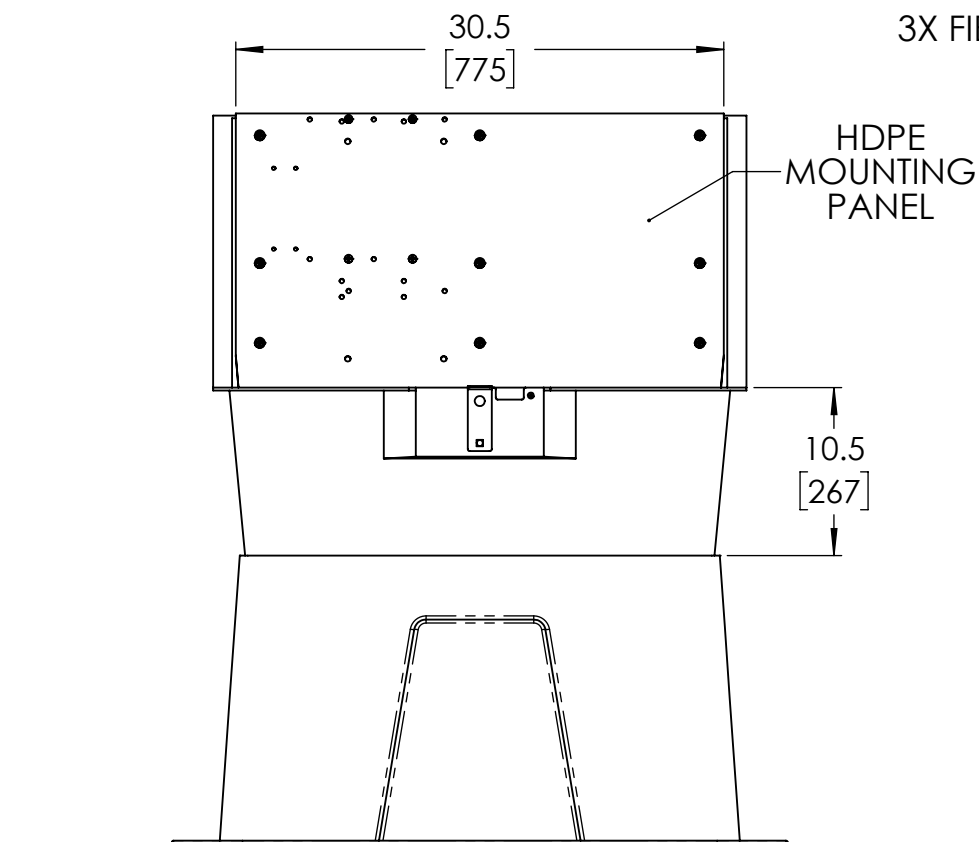
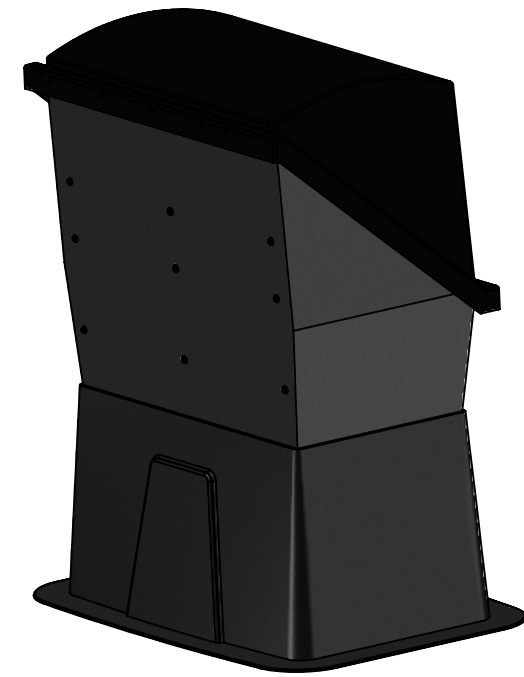
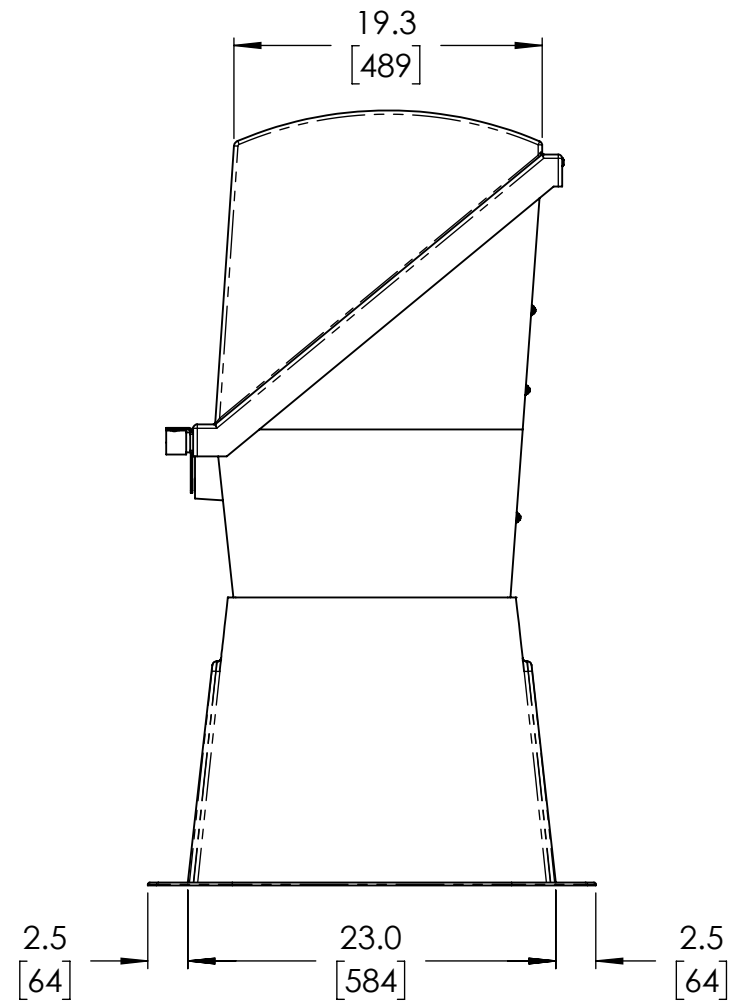
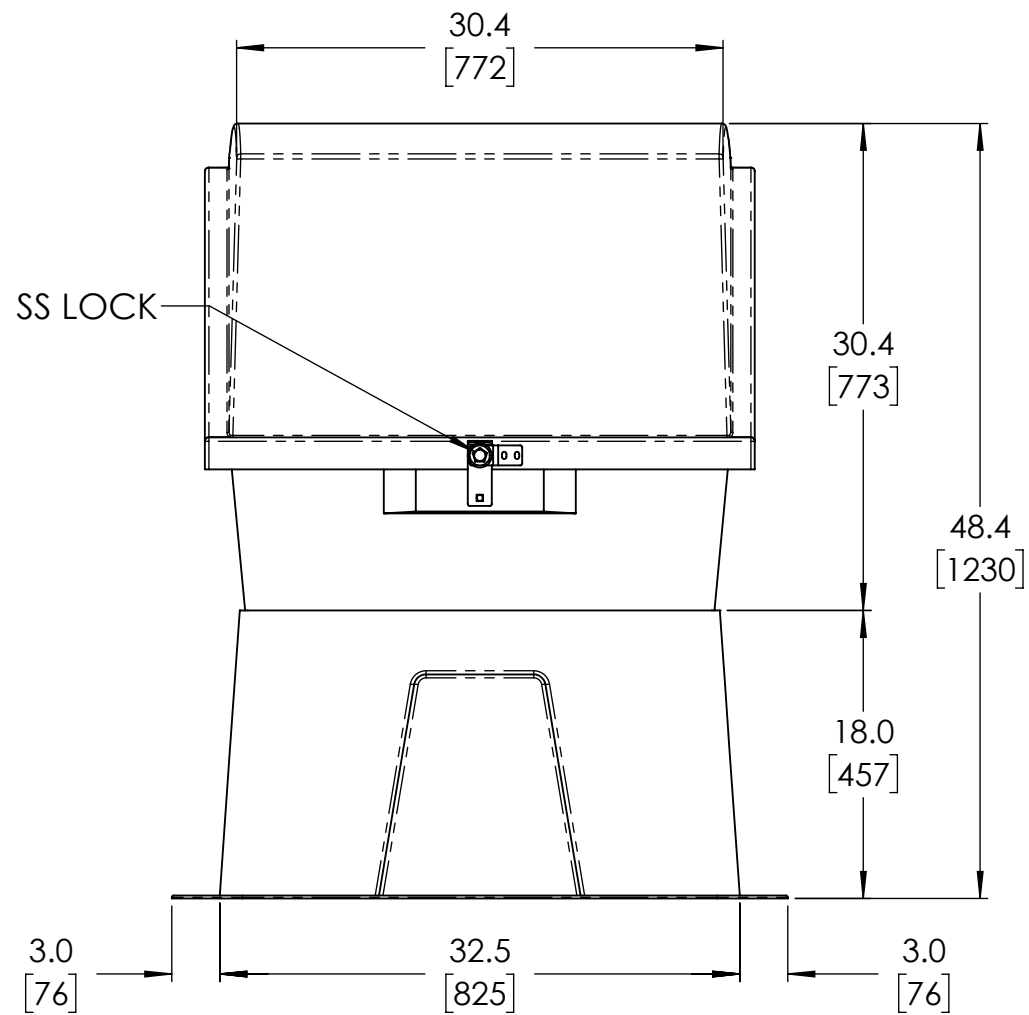


REVISIONS				
REV	CRCO	DESCRIPTION	REV. BY	REV. DATE
A		PRODUCTION RELEASE	JPW	11/8/2017
B	74	ADD NOTE (SHEET 1), ADD SHEET 2 (ECN #74)	JVW	11/20/2017
C	194	ADDED PCRX TO SHEET 2	MAD	10/20/2020



ANSI Y14.5M 1994 APPLIES
 UNLESS NOTED
 UNITS: INCHES
 3-PLACE: ±.005
 2-PLACE: ±.015
 1-PLACE / FRAC: ±.03
 ANGULAR: ±1



**DAIRYLAND
 ELECTRICAL
 INDUSTRIES, INC.**
 P.O. BOX 187
 STOUGHTON,
 WI 53589
 608-877-9900
 DAIRYLAND.COM

DESCRIPTION MTP-48				
DOCUMENT # 100107	REV B	DATE DRAWN 2017-11-08	DWG SIZE B	DATE APPROVAL
SCALE 1:12	DRAWN: JPW	SHEET: 1 OF 2	DWG APPROVAL:	

MOUNT THE SSD OR PCR TO THE BACKPLATE USING THE HARDWARE PROVIDED

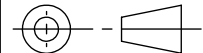
SSD OR PCR

PCRX


GROUND LINE

TYPICAL BURIAL DEPTH
 8 - 12"
 [200 - 300mm]

ANSI Y14.5M 1994 APPLIES



UNLESS NOTED
 UNITS: INCHES
 3-PLACE: ±.005
 2-PLACE: ±.015
 1-PLACE / FRAC: ±.03
 ANGULAR: ±1

63/



**DAIRYLAND
 ELECTRICAL
 INDUSTRIES, INC.**

P.O. BOX 187
 STOUGHTON,
 WI 53589
 608-877-9900
 DAIRYLAND.COM

DESCRIPTION
 MTP-48

DOCUMENT #	REV	DATE DRAWN	DWG SIZE	DATE APPROVAL
100107	B	2017-11-08	B	
SCALE 1:8	DRAWN: JPW	SHEET: 2 OF 2	DWG APPROVAL:	