

The DEI model PCR decoupler can be installed on a variety of flange sizes with the Universal Flange Mounting Bracket. The UFB kit can be used on pipelines ranging from 4" to 24" in diameter or additional sizes upon request.

The UFB Kit utilizes an existing flange bolt for attachment, which simplifies installation. The kit is both the mounting structure and the conduction path for PCR operation.

This method greatly shortens the conduction path as compared to wire connections, which improves the over-voltage protection provided for the flange insulation.

Bracket B (as shown in Figure 2) will be drilled by DEI prior to shipment. In order for DEI to determine the hole size needed for Bracket B, users must submit diameter and ANSI pound class of the pipeline on which it will be installed.

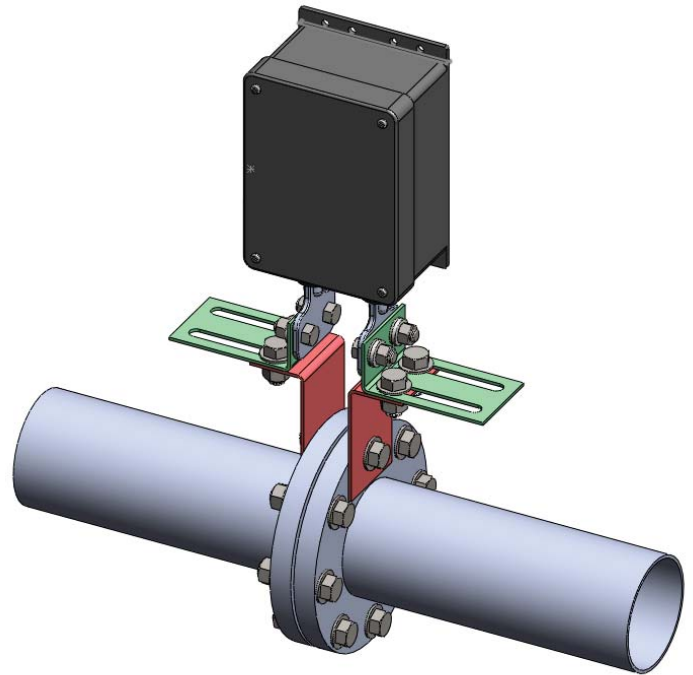
An appropriate sealing material is needed for the bracket to flange interface (user provided).

### **Specifications:**

Material: #110 Copper

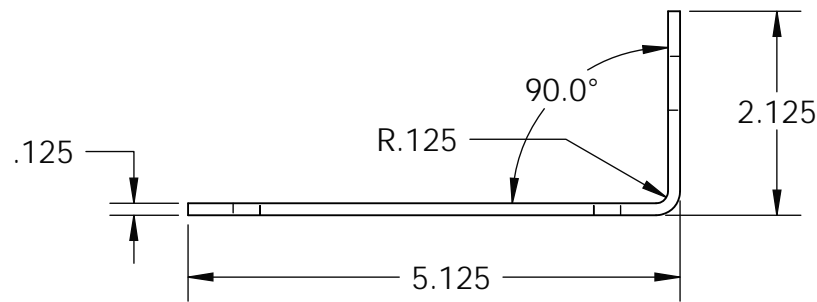
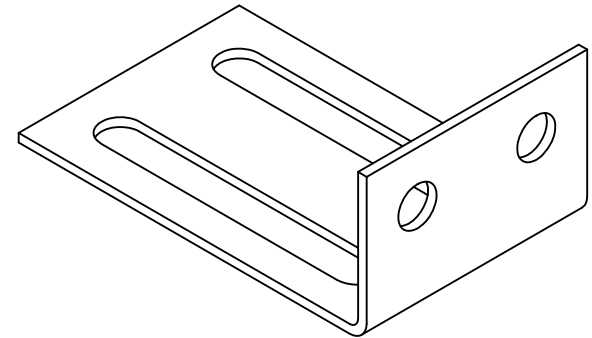
Plating: Nickel Electroplate

Thickness: 0.125"



REVISIONS

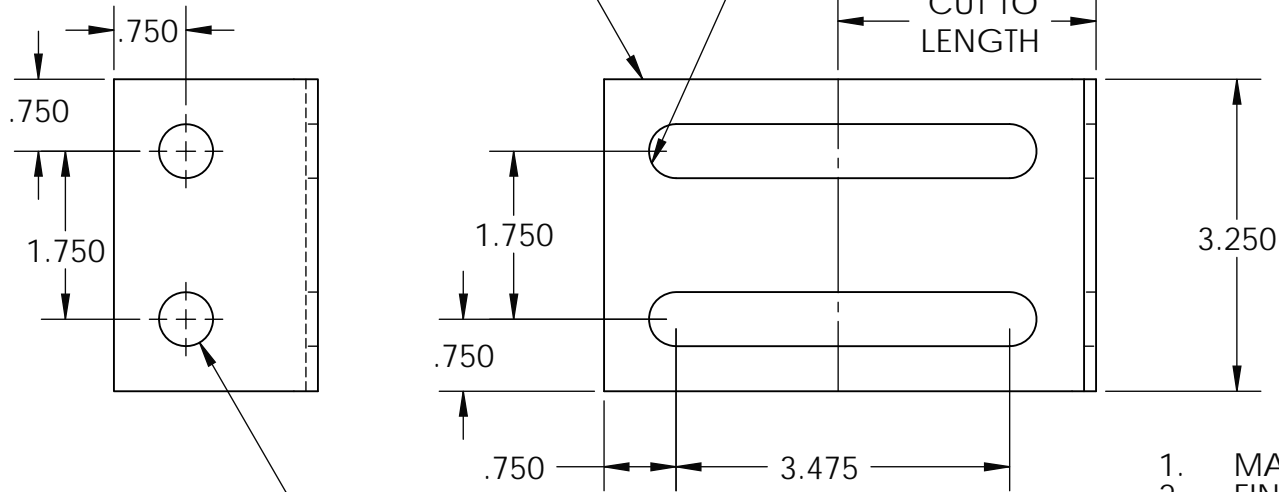
REV	DESCRIPTION	DATE	APPROVED
-----	-------------	------	----------



SHEAR OFF THIS END AS REQUIRED

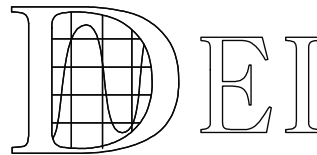
MILL 9/16"(2X)

CUT TO LENGTH

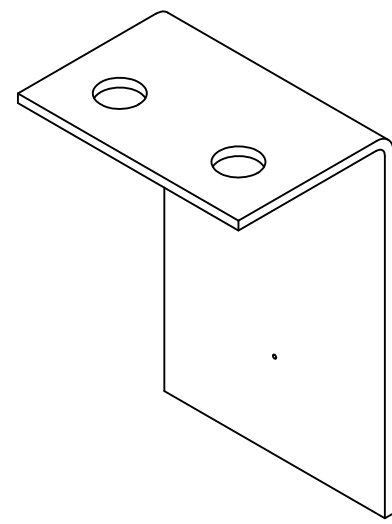
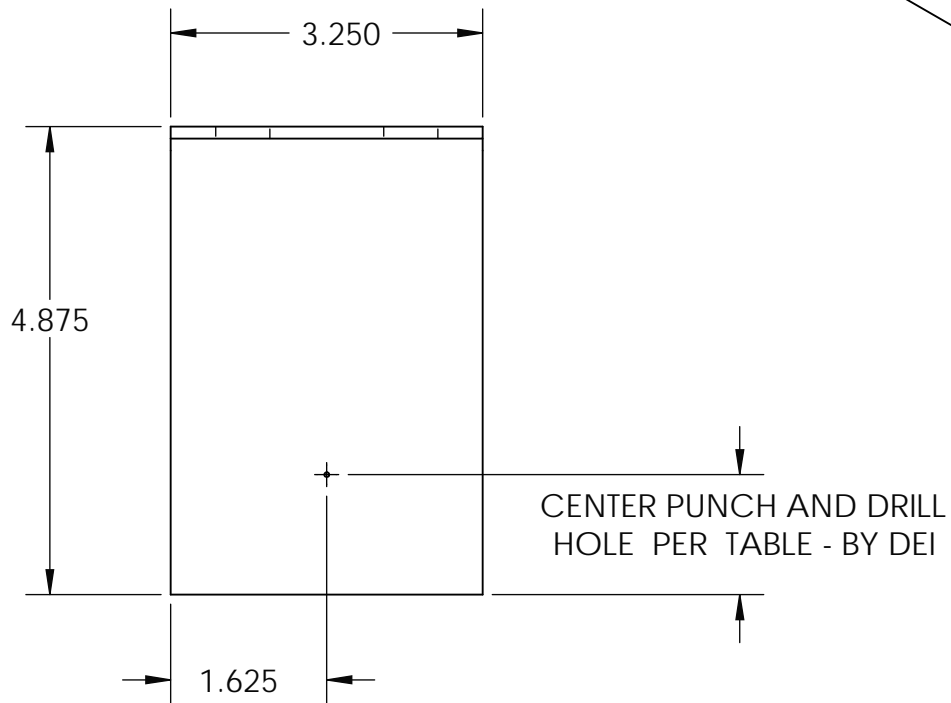
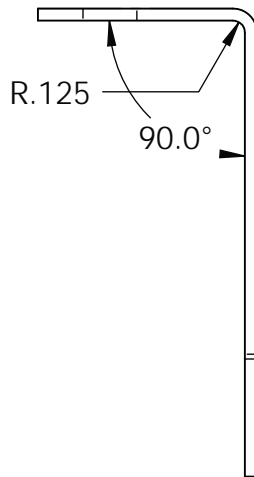
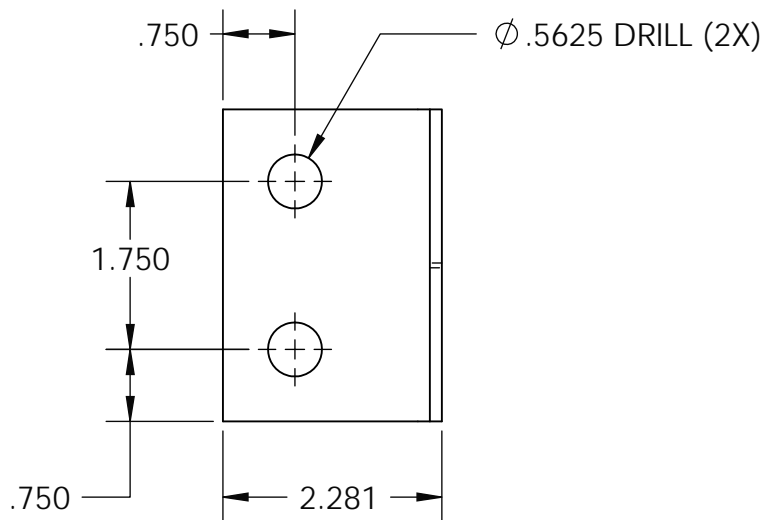


Ø .5625 THRU(2X)

1. MATERIAL: 1/8" #110 COPPER
2. FINISH: NICKEL ELECTROPLATE, 0.0002/0.0005
3. TOLERANCE: +/- 0.005



TITLE PCR UNIVERSAL FLANGE BRACKET KIT-BRKT A			
SIZE A	DATE 8/7/2007	DWG NO. BRACKET-A	DBA 2824 2825
SCALE 1:2	DRAWN: BWC	SHEET 1 OF 1	



REVISIONS			
REV	DESCRIPTION	DATE	APPROVED

1. MATERIAL: 1/8" #110 COPPER
2. FINISH: NICKEL ELECTROPLATE, 0.0002/0.0005
3. TOLERANCE: +/- 0.005



TITLE <b>PCR UNIVERSAL FLANGE BRACKET KIT-BRKT B</b>			
SIZE <b>A</b>	DATE <b>8/3/2007</b>	DWG NO. <b>BRACKET-B</b>	DBA <b>2826 2827</b>
SCALE <b>1:2</b>	DRAWN: <b>BWC</b>	SHEET <b>1 OF 1</b>	