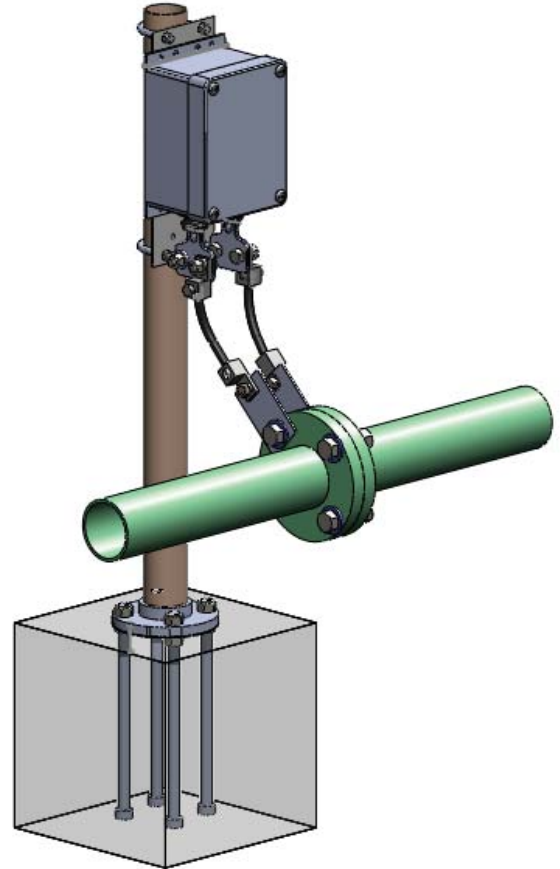


Any PCR or PCRH model can easily be installed by mounting the device to a pipe located in close proximity to the structure. The device will be supplied with an stainless steel backplate which is predrilled for two stainless steel U-bolts/nuts which are furnished for attaching to the supplied 2" diameter x 48" long galvanized steel pipe. Also included in the kit is a 4-bolt threaded pipe flange base suitable for mounting to a field fabricated concrete foundation and four 5/8" x 12" galvanized anchor bolts, each with two nuts for leveling the flange base. All items in a pipe mounting kit will be packaged separately from the PCR or PCRH.

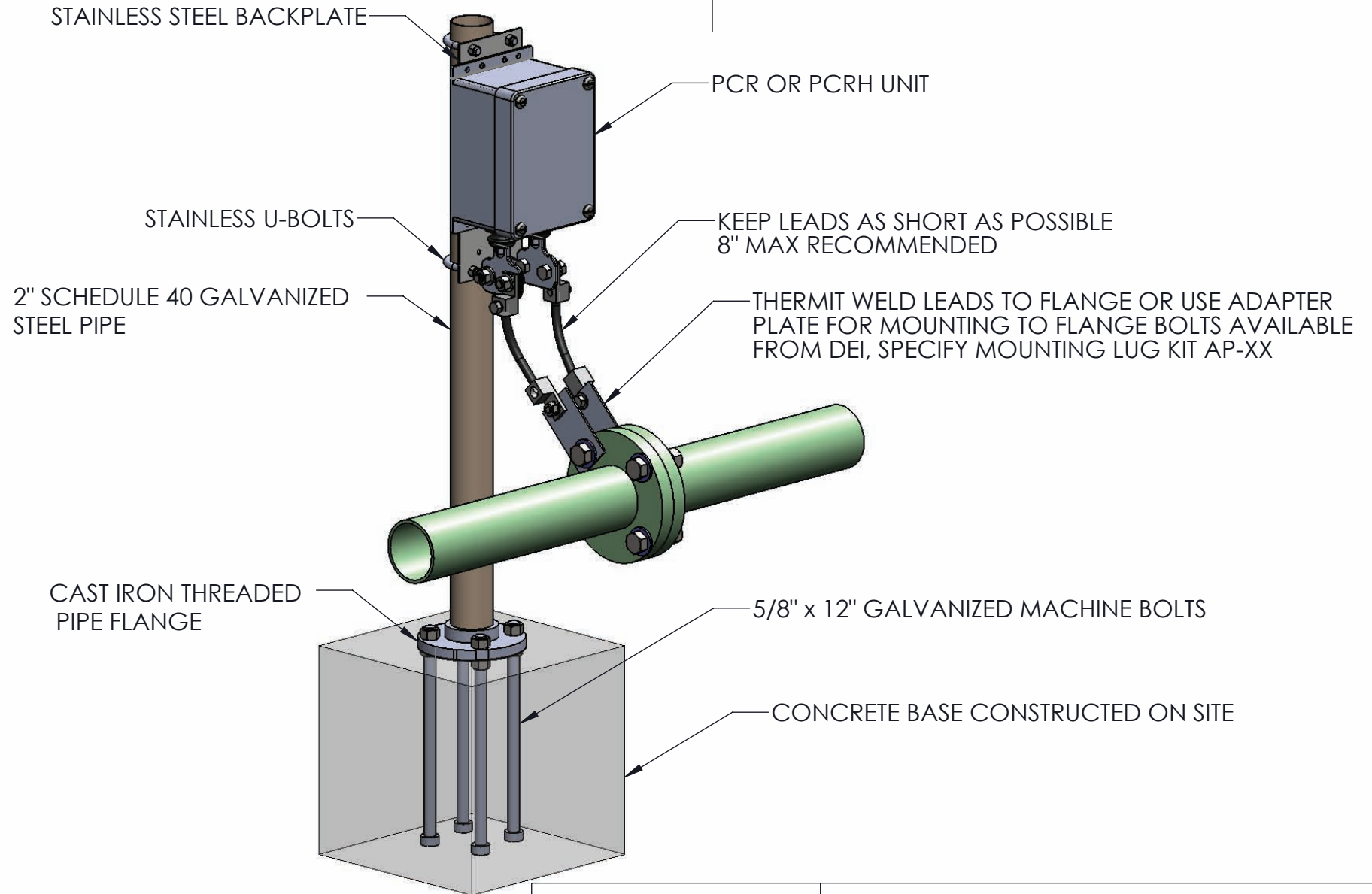
To order a complete Pipe Mounting Kit, specify part number PMK2-48.

Alternatively, any PCR or PCRH model can be furnished with only a stainless steel backplate and U-bolts suitable for mounting to a user-supplied 2" diameter pipe (outer diameter 2.375" or 60.3 mm). To order this option, order part number "PM2."



REVISIONS

REV	DESCRIPTION	DATE	APPROVED
-----	-------------	------	----------



TITLE				PIPE MOUNTING KIT	
SIZE	DATE	DWG NO.			DBA
A	9/12/2008		ASSEMBLY -2		
SCALE	1:8	DRAWN: BWC	SHEET	1 OF 1	