

DEI Accessories

36" Fiberglass Pedestal

Where a free-standing enclosure is desired for the DEI PCR or PCRH decouplers, the 36" fiberglass pedestal is ideal. Requiring no foundation or mounting structure, the pedestal is installed by partially burying the lower one-half in the soil. Cable entrance is via the open bottom area of the lower one-half which is ideal for AC mitigation applications. The padlockable hasp prevents unauthorized access.

All mounting hardware required to attach the PCR in the pedestal will be packaged with the PCR. The channel bracket, normally furnished with a PCR, will be omitted. See the attached outline drawing for Pedestal details. The height of the standard pedestal is 36". To order, specify Pedestal-36" plus the desired PCR model. Consult DEI if a different height pedestal is desired.

Specifications

- Color: Light Green
- Nominal fiberglass thickness: 3/16" (4.8mm)
- Exterior: UV stabilized gelcoat 14 Mil (0.36mm) thick.
- Fire retardant. Does not support combustion
- Hardware: Stainless Steel

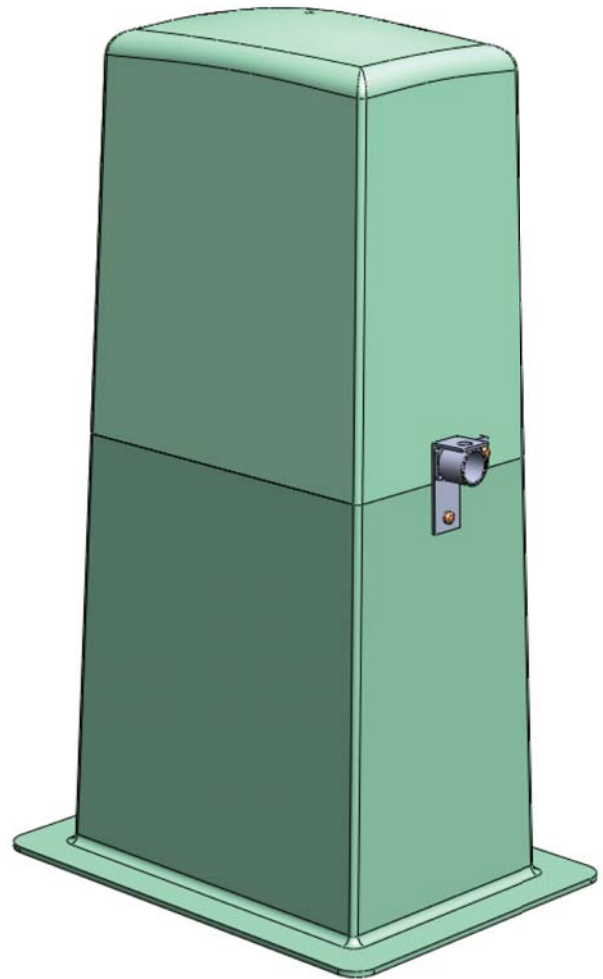
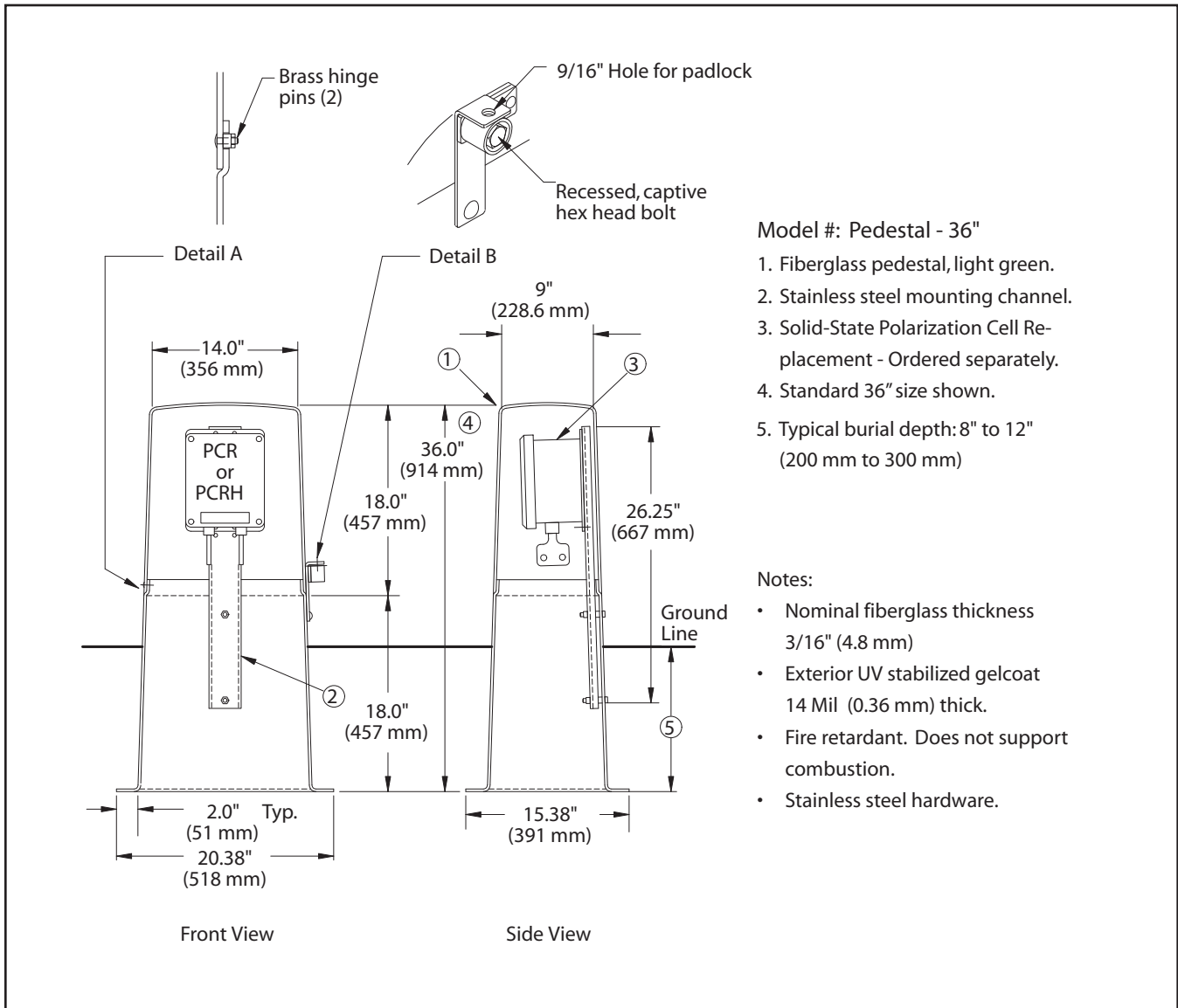
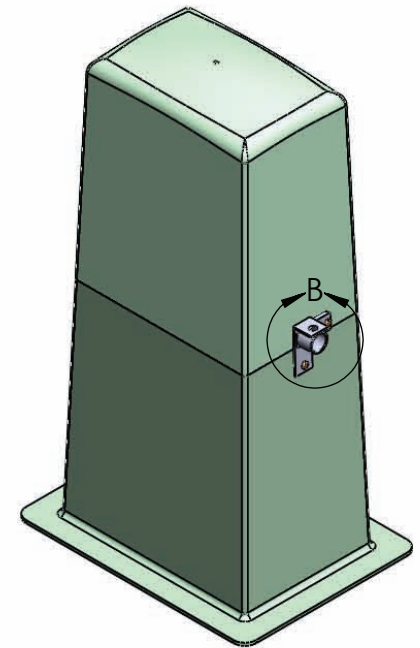
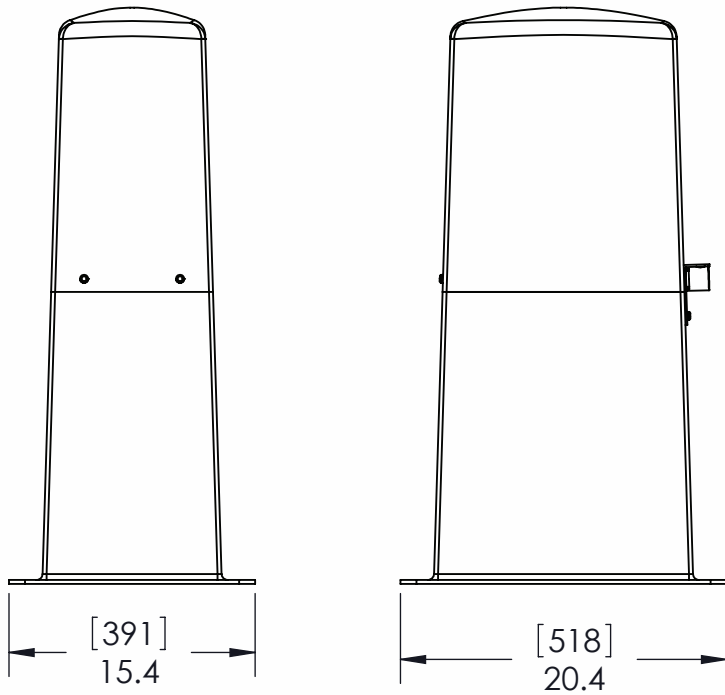


FIGURE 1 Pedestal Mounted PCR or PCRH

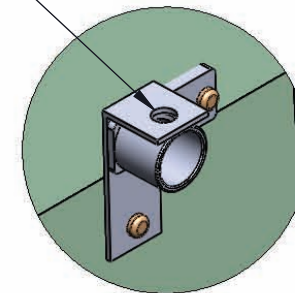


REVISIONS

REV	DESCRIPTION	DATE	APPROVED
-----	-------------	------	----------



HOLE FOR 9/16" DIA PADLOCK



DETAIL B
SCALE 1 : 4
LATCH MECHANISM



TITLE				SMALL PEDESTAL	
SIZE	DATE	DWG NO.	DBA		
A	6/30/2008	SMALL PEDESTAL ASSEMBLY			
SCALE	1:12	DRAWN: BWC	SHEET	1 OF 1	