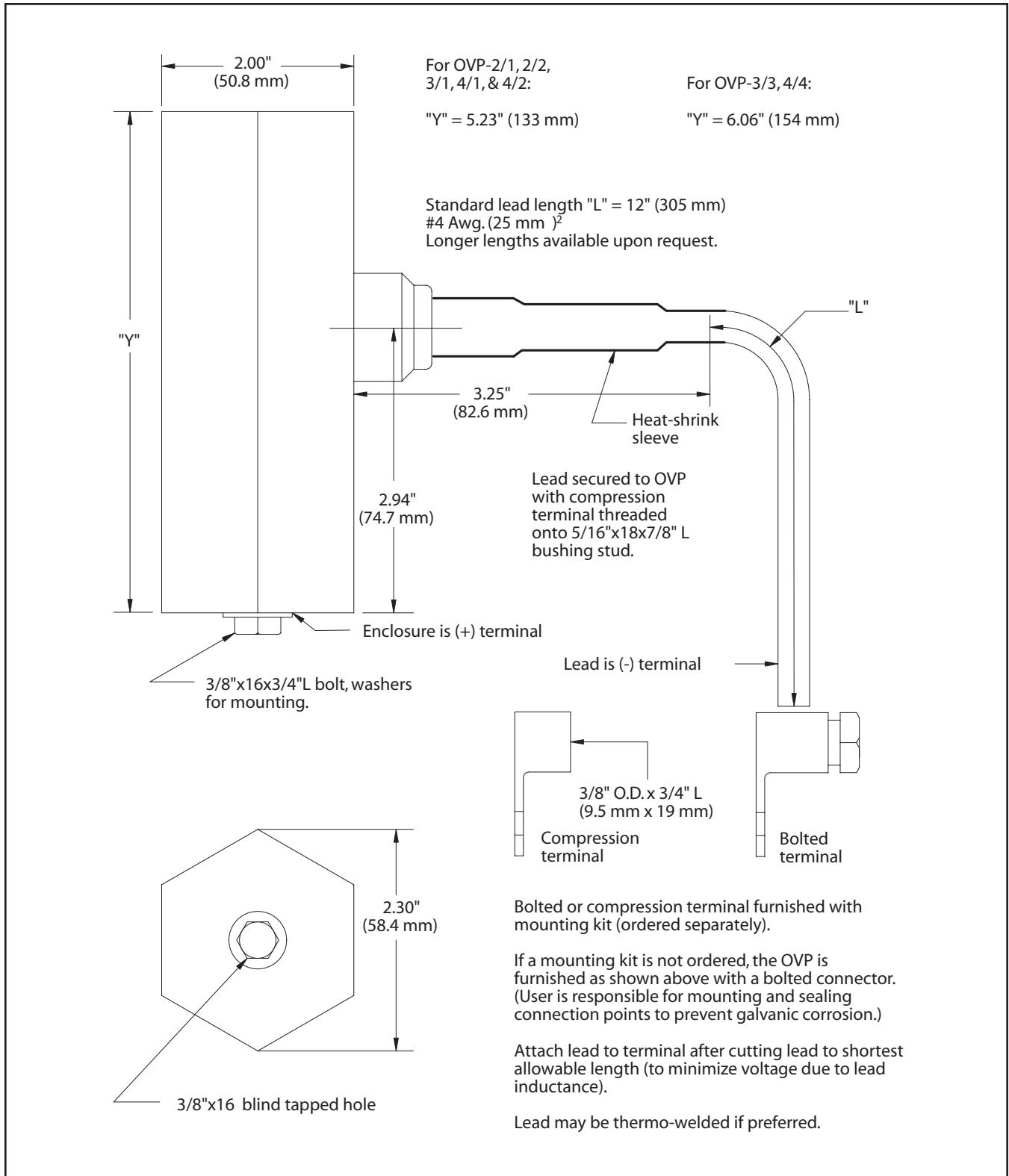
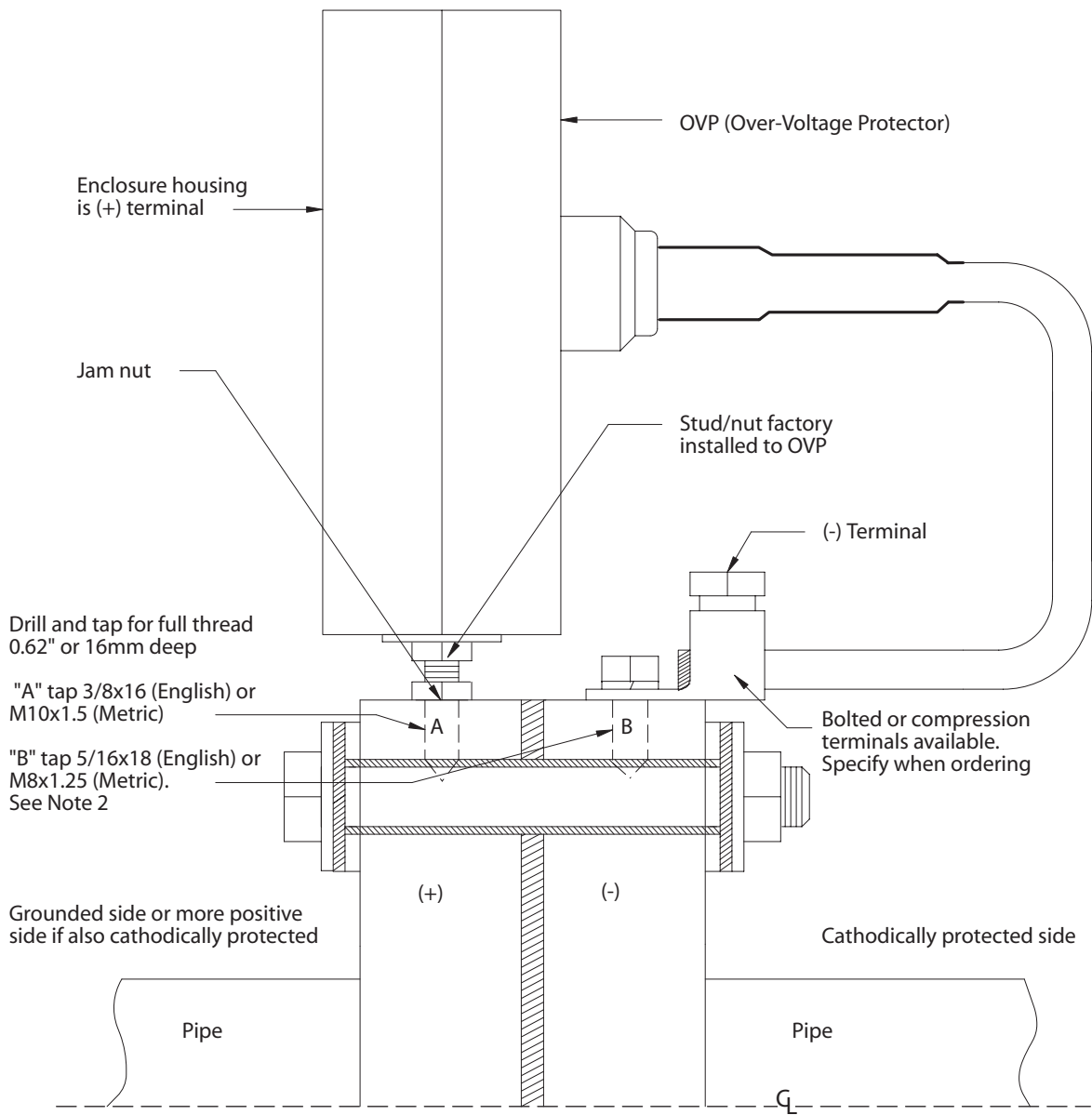


**FIGURE 1 OVP Outline Dimensions**

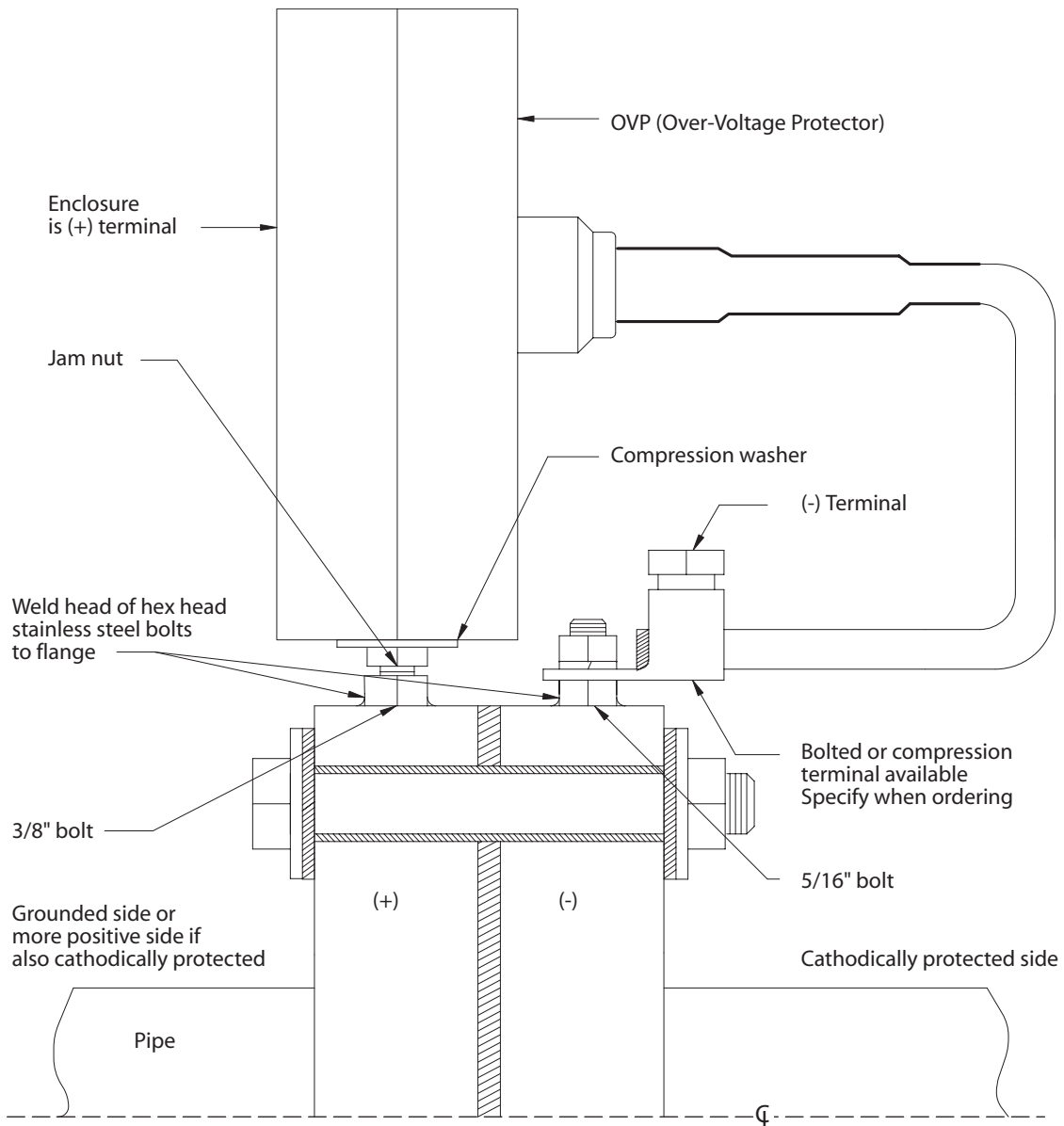


**FIGURE 2 Insulated Joint Application – Flange Mount Using Tapped Holes**



1. User is responsible to determine if drilling and tapping is acceptable.
2. Mounting Kit FMTH-3/8-5/16 requires English taps, FMTH-M10-M8 metric taps.  
If required, off-set bolts to maintain clearance between (+) and (-) connections to flange.
3. Liberally apply lubricant/corrosion inhibitor (furnished) to all threads.
4. Thread OVP into tapped hole, orient as desired, and securely tighten jam nut.
5. Attach (-) terminal to flange with bolt provided and securely tighten.
6. Cut lead to shortest allowable length.
7. Remove lead insulation as appropriate for terminal. Apply corrosion inhibitor to bare strands.
8. Insert bare conductor into terminal and securely tighten terminal bolt (or compress as required if a compression terminal).
9. Cover all connections and attachment points with an appropriate coating/sealing material to prevent galvanic corrosion.

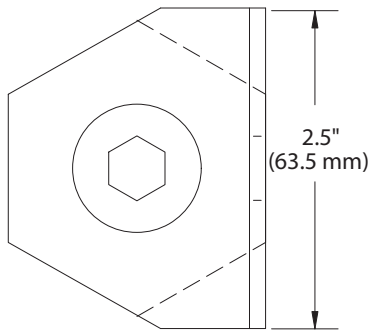
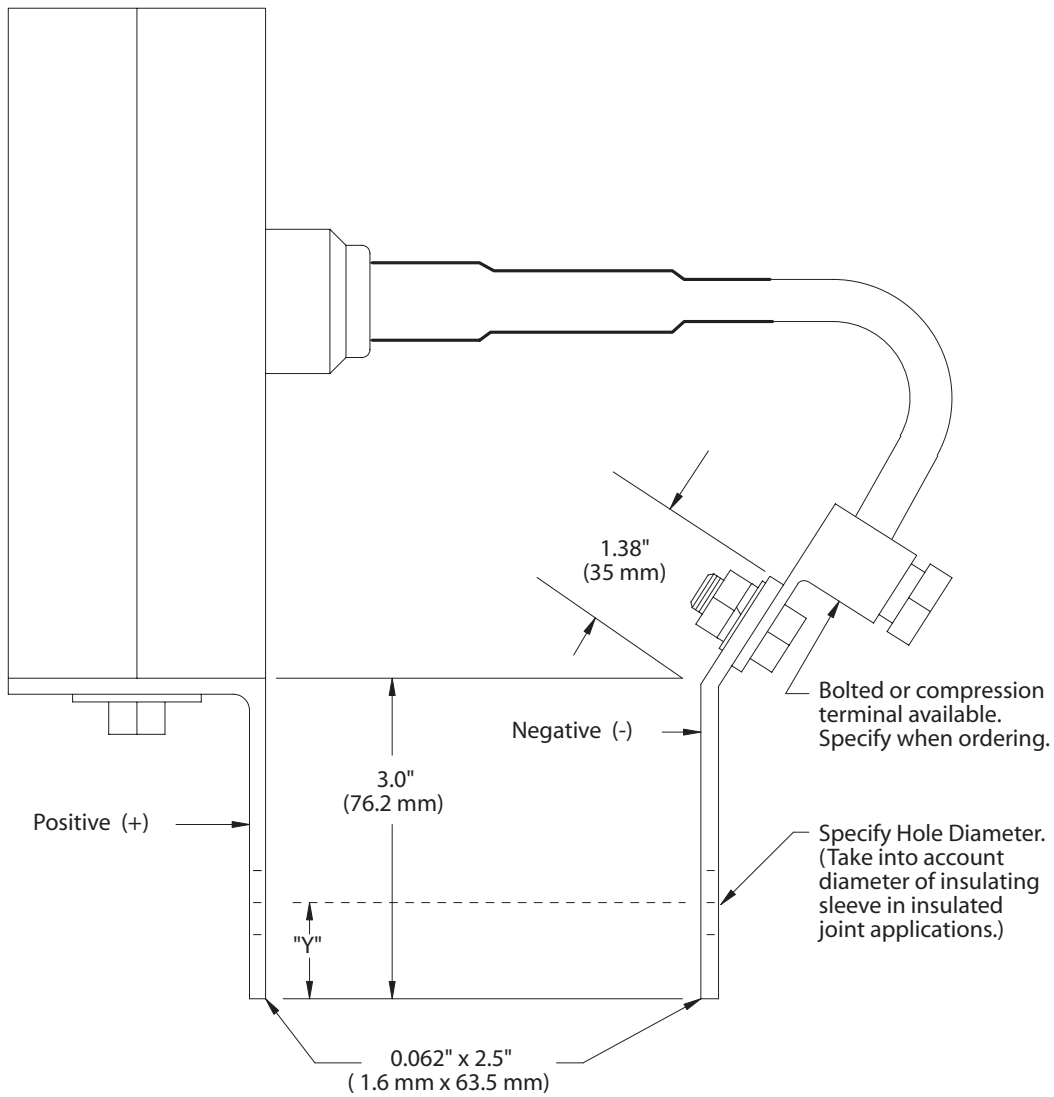
**FIGURE 3 Insulated Joint Application – Flange Mount Using Welded Hex Bolts**



1. User is responsible to determine if welding to structure is acceptable.
2. Weld head of bolts to flange as shown. For narrow flanges it may be necessary to radially off-set bolts to provide electrical clearance between the OVP housing and the (-) terminal.
3. Liberally apply lubricant/corrosion inhibitor (furnished) to all threads.
4. Thread OVP onto 3/8" stud, orient as desired, and securely tighten jam nut.
5. Attach terminal to 5/16" stud and securely tighten hex nut.
6. Cut flexible lead to shortest allowable length.
7. Remove lead insulation as appropriate for terminal. Apply corrosion inhibitor to bare strands.
8. Insert bare conductor into (-) terminal and securely tighten terminal bolt (or compress as required if a compression terminal).
9. Cover all connections and attachment points with an appropriate coating/sealing material to prevent galvanic corrosion.

**FIGURE 4A** Insulated Joint Application – Flange Mount Using Existing Flange Bolts

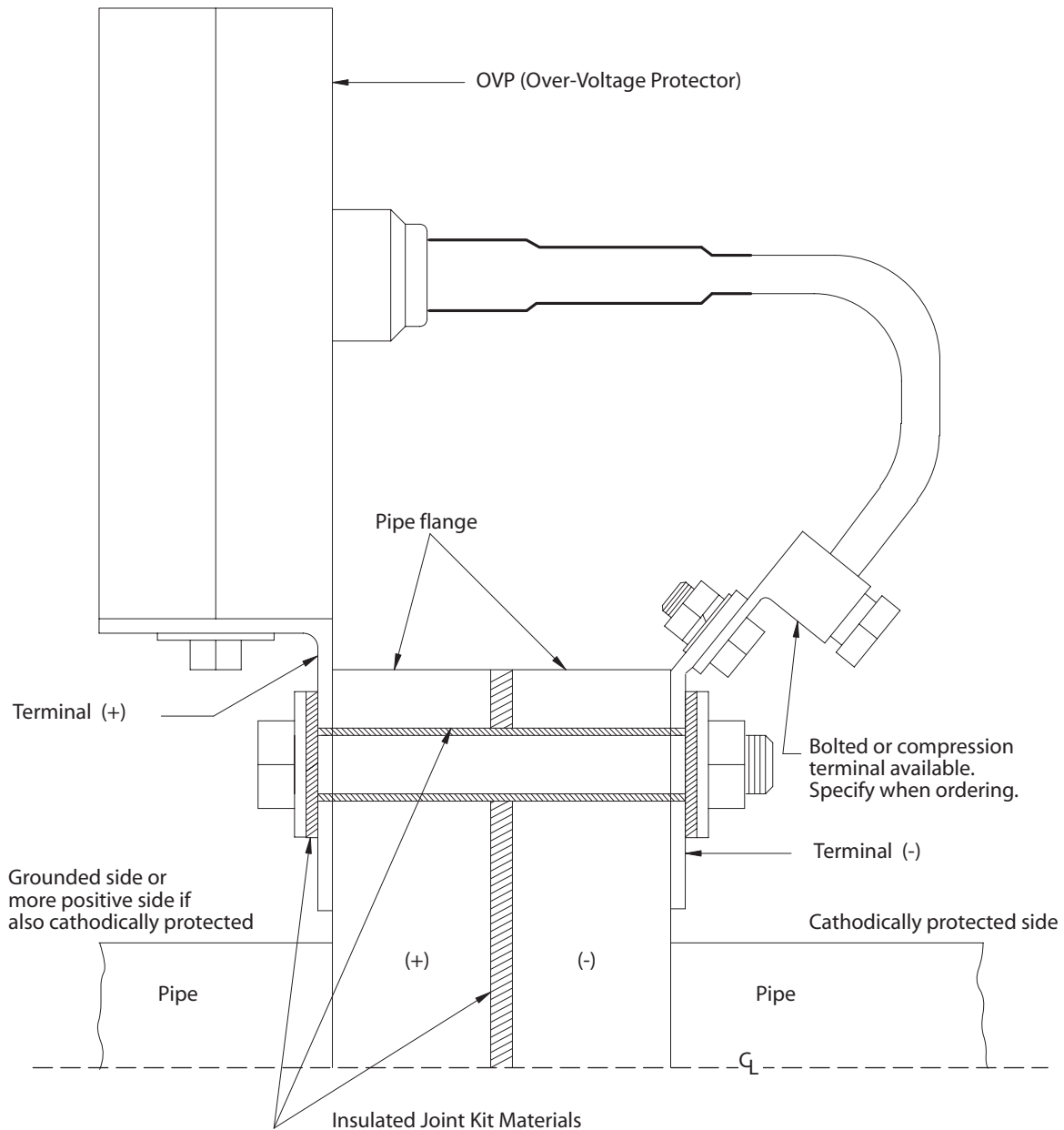
Use only on flat faced flanges that are not spotfaced around bolt holes.



If Hole Diameter is:	Then "Y" is:
1/2" - 7/8" (12 mm - 22 mm)	3/4" (20 mm)
1.0" - 1-1/8" (25 mm - 29 mm)	1.0" (25 mm)
1-1/4" - 1-3/8" (32 mm - 35 mm)	1-1/4" (32 mm)

For other requested hole diameters, contact DEI.

**FIGURE 4B** Insulated Joint Application – Flange Mount Using Existing Flange Bolts



1. Bolt OVP to insulated joint as shown. Flange must be bare metal under terminal plates. Liberally apply corrosion inhibitor (furnished) over entire surface of terminal plates in contact with flange.
2. Confirm that there is no continuity across the insulated joint and that there is continuity between each OVP terminal and its adjacent flange.
3. Cut flexible lead to shortest allowable length.
4. Remove lead insulation as appropriate for terminal. Apply corrosion inhibitor to bare strands.
5. Insert bare conductor into (-) terminal and securely tighten terminal bolt (or compress as required if a compression terminal).
6. Cover all connections and attachment points with an appropriate coating/sealing material to prevent galvanic corrosion.