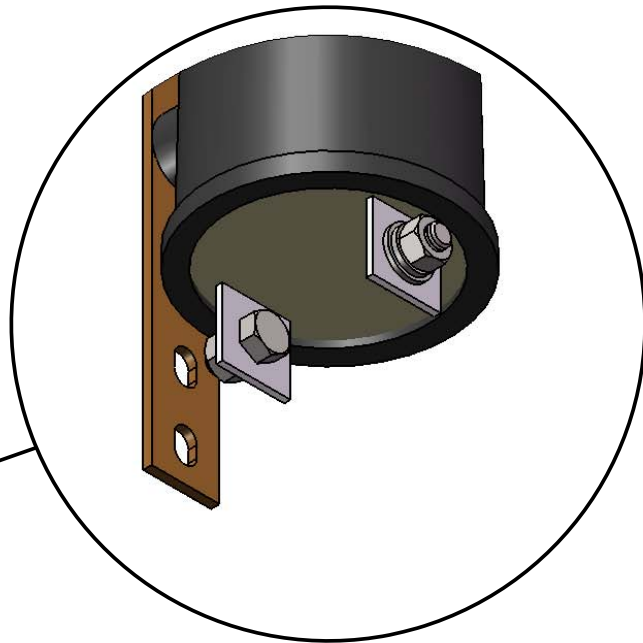


ALL SSD MODELS  
NOW SUPPLIED WITH  
STAINLESS STEEL  
MOUNTING BRACKET



TERMINALS IN ALTERNATE POSITION  
SPECIFY SSD-XX-XX-XX  
THIS ORIENTATION REQUIRED FOR  
PIN BRAZED STUD MOUNTING  
(INCLUDES ALL SSD MODELS  
SHIPPED PRIOR TO 11/2009)



TERMINALS IN NEW STANDARD POSITION  
SPECIFY SSD-XX-XX-XX-R

R = "ROTATED"



TITLE					SSD TERMINAL CONFIGURATIONS				
SIZE	DATE	DWG NO.	SW09	DBA					
A	11/4/2009	SSD TERMINAL CONFIGURATIONS							
SCALE	1:2	DRAWN: BWC	APR: MT	SHEET	1 OF 1				